



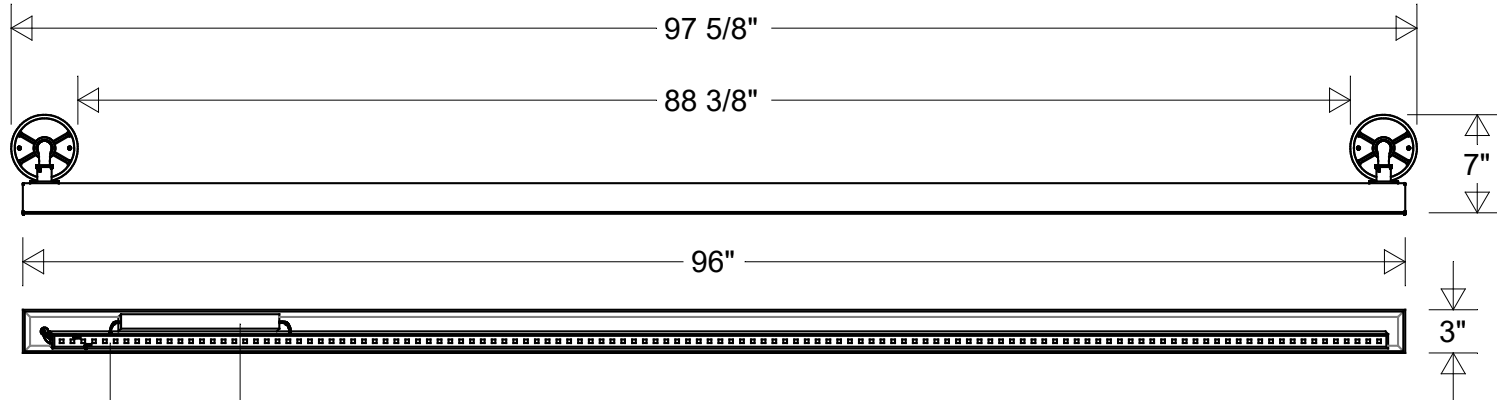
Primelite Manufacturing Corp

407 S Main St, Freeport, NY 11520

Phone: 516-868-4411 | Fax: 516-868-4609
 sales@primelite-mfg.com | www.primelite-mfg.com

PART # #5751/855-11 ESW	LAMP Built-In LED	VOLTAGE 120-277 V	COLOR Powder Coated Paint
JOB NAME			TYPE Linear Sign Light

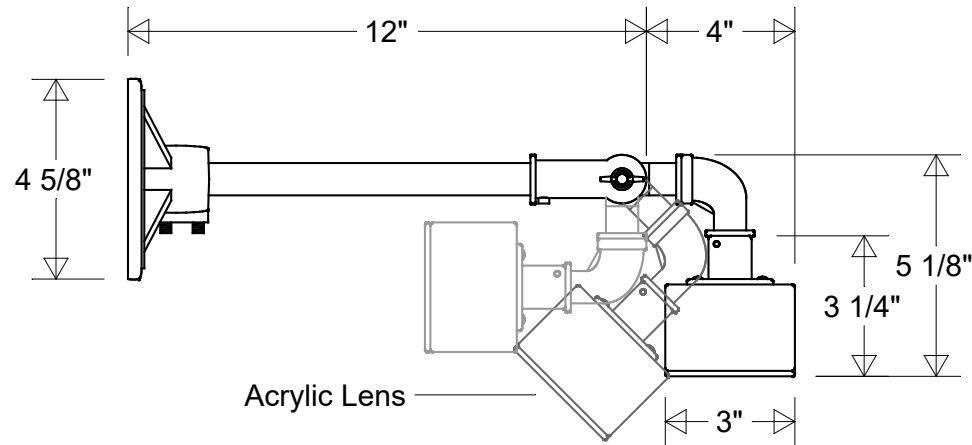
FRONT VIEW




INSIDE VIEW

LED Strip
Driver

SIDE VIEW



Lamp: LED 50 Strip 35K or 50K: 7,795 Lumens 	Name	Date	<h3>Sign Light #5751/855-11 ESW LED 50</h3>			
	Drawn	CB				07/2021
	Checked			97 5/8" L 12" Ext 7" H 93" Center to Center Arms Acrylic Lens : White (-3) Clear (-4) Frosted (-5)		
	ENG Appr.					
MFR Appr.			Size	Drawing No.	Rev	
QA			A	0001	A	
Construction: Aluminum Acrylic	Weight		Scale	CAD File	Sheet	
Unless Otherwise Specified: Dimensions in Inches					1 of 1	

Revisions					
Zone	Rev	Description	Date	Approved	