

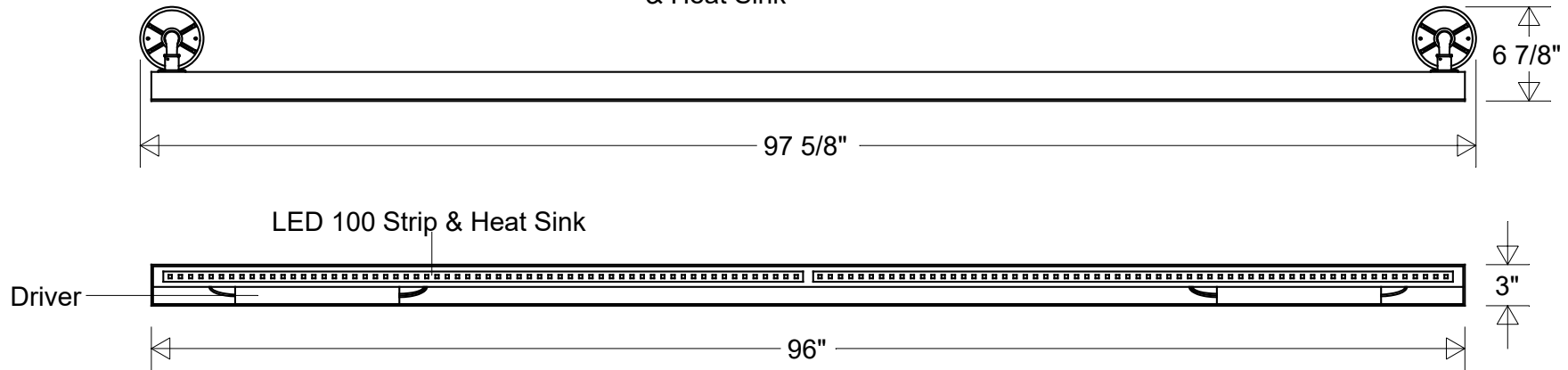
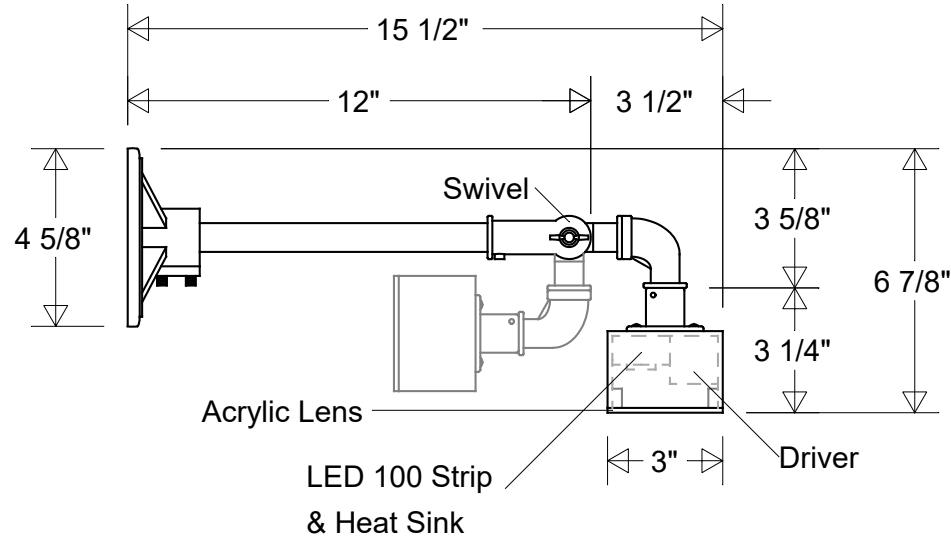


# Primelite Manufacturing Corp

407 S Main St, Freeport, NY 11520

Phone: 516-868-4411 | Fax: 516-868-4609  
 sales@primelite-mfg.com | www.primelite-mfg.com

PART # #5751/855-11 ESW LED 100	LAMP Built-In LED	VOLTAGE 120 - 277 V	COLOR Powder Coated Paint
JOB NAME			TYPE Linear Sign Light



Lamp: LED 100 (LED 50 Strip X 2)  
 35K = 14000 Lumens  
 5K = 14000 Lumens

	Initials	Date
Drawn	CB	03/2023
Checked		
ENG Appr.		
MFR Appr.		
QA		

## #5751/855-11 ESW LED 100

97 5/8" L | 15 1/2" Ext | 6 7/8" H | 93" Center to Center Arms  
 Acrylic Lens: White (-3) | Clear (-4) | Frosted (-5)

Size	Drawing No.	Rev
<b>A</b>	<b>0001</b>	<b>A</b>

Revisions				
Zone	Rev	Description	Date	Appr

Construction:  
Aluminum | Acrylic

Recommended Installation:  
Exterior Use

Weight:

Scale	CAD File	Sheet
		<b>1 of 1</b>