

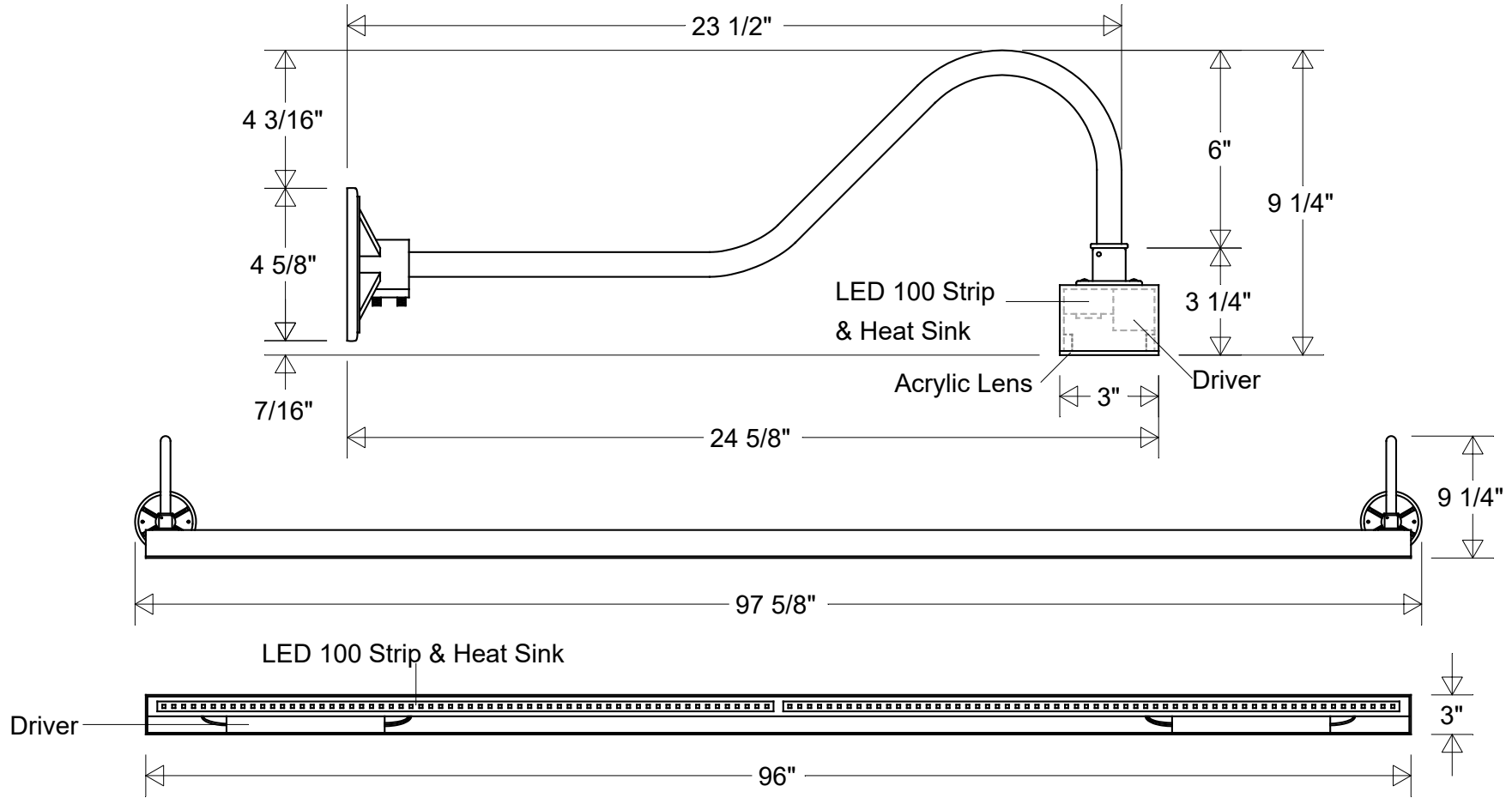


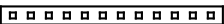
Primelite Manufacturing Corp

407 S Main St, Freeport, NY 11520

Phone: 516-868-4411 | Fax: 516-868-4609
 sales@primelite-mfg.com | www.primelite-mfg.com

PART # #5751/850 LED 100	LAMP Built-In LED	VOLTAGE 120 - 277 V	COLOR Powder Coated Paint
JOB NAME			TYPE Linear Sign Light



Lamp: LED 100 (LED 50 Strip X 2) 35K = 14000 Lumens 5K = 14000 Lumens 	Initials	Date	#5751/850 LED 100			
	Drawn	CB				07/2023
	Checked			97 5/8" L 24 5/8" Ext 9 1/4" H 93" Center to Center Arms Acrylic Lens: White (-3) Clear (-4) Frosted (-5)		
	ENG Appr.					
Construction: Aluminum Acrylic	MFR Appr.		Size	Drawing No.	Rev	
	QA		A	0001	A	
Unless Otherwise Specified: Dimensions in Inches	Weight:		Scale	CAD File	Sheet	
					1 of 1	

Revisions				
Zone	Rev	Description	Date	Appr