



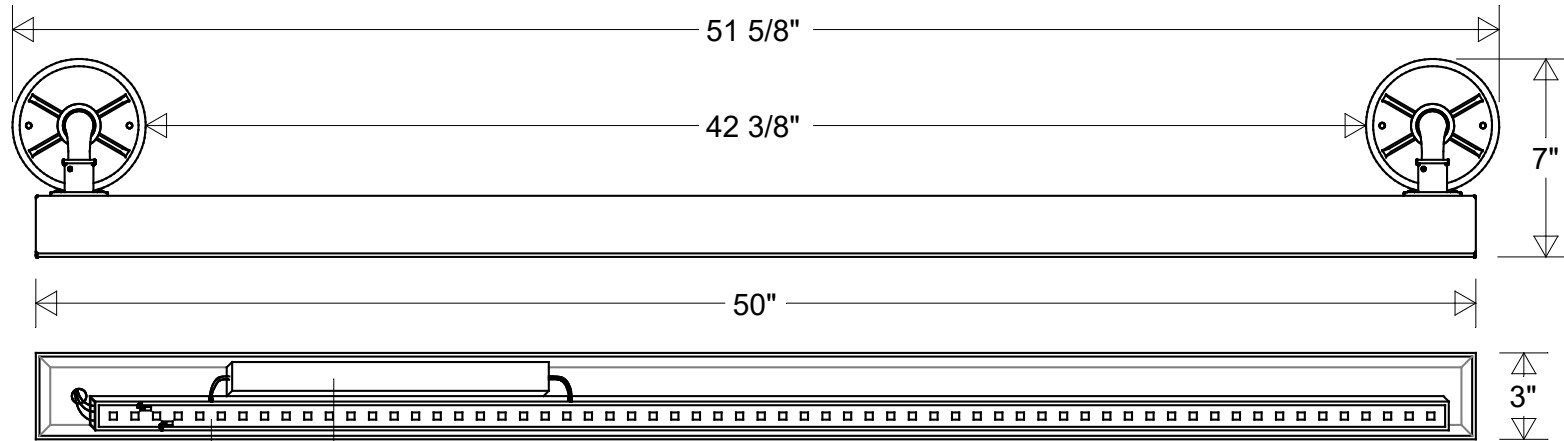
Primelite Manufacturing Corp

407 S Main St, Freeport, NY 11520

Phone: 516-868-4411 | Fax: 516-868-4609
 sales@primelite-mfg.com | www.primelite-mfg.com

PART # #5750/855-11 ESW	LAMP Built-In LED	VOLTAGE 120-277 V	COLOR Powder Coated Paint
JOB NAME			TYPE Linear Sign Light

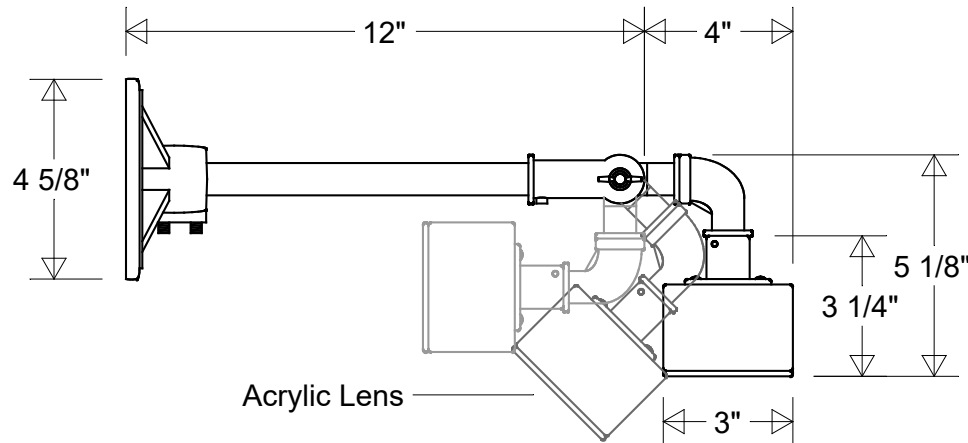
FRONT VIEW



INSIDE VIEW

LED Strip
Driver

SIDE VIEW



Lamp: LED 50 Strip 35K or 50K: 7,795 Lumens 	Name	Date	<h3>Sign Light #5750/855-11 ESW LED 50</h3> <p>51 5/8" L 12" Ext 7" H 47" Center to Center Arms Acrylic Lens : White (-3) Clear (-4) Frosted (-5)</p>			
	Drawn	CB		07/2021		
	Checked					
	ENG Appr.					
Construction: Aluminum Acrylic	MFR Appr.			Size	Drawing No.	Rev
	QA			A	0001	A
Unless Otherwise Specified: Dimensions in Inches	Weight			Scale	CAD File	Sheet
						1 of 1

Revisions				
Zone	Rev	Description	Date	Approved