

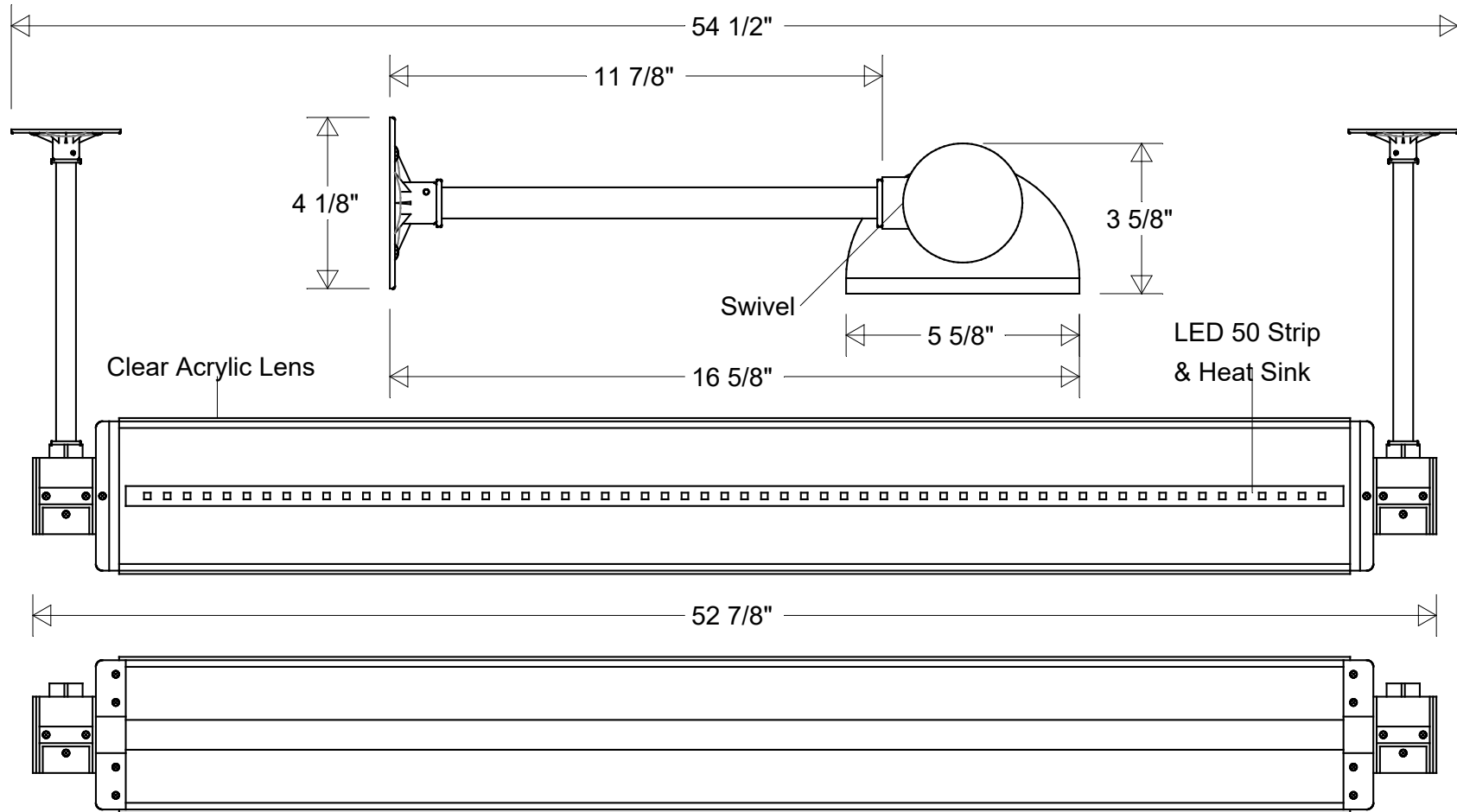


Primelite Manufacturing Corp

407 S Main St, Freeport, NY 11520

Phone: 516-868-4411 | Fax: 516-868-4609
 sales@primelite-mfg.com | www.primelite-mfg.com

PART # #5748 LED 50	LAMP Built-In LED	VOLTAGE 120 - 277 V	COLOR Powder Coated Paint
JOB NAME			TYPE Linear Sign Light



Lamp: LED 50 Strip
 35K = 7000 Lumens
 5K = 7000 Lumens

#5748 LED 50

54 1/2" L | 16 5/8" Ext | 3 5/8" H
 50 3/8" Center to Center

Revisions

Zone	Rev	Description	Date	Appr

Construction:
 Aluminum | Acrylic

	Initials	Date
Drawn	CB	02/2023
Checked		
ENG Appr.		
MFR Appr.		
QA		

Size	Drawing No.	Rev
A	0001	A

Unless Otherwise Specified:
 Dimensions in Inches

Weight:	Scale	CAD File	Sheet
			1 of 1