

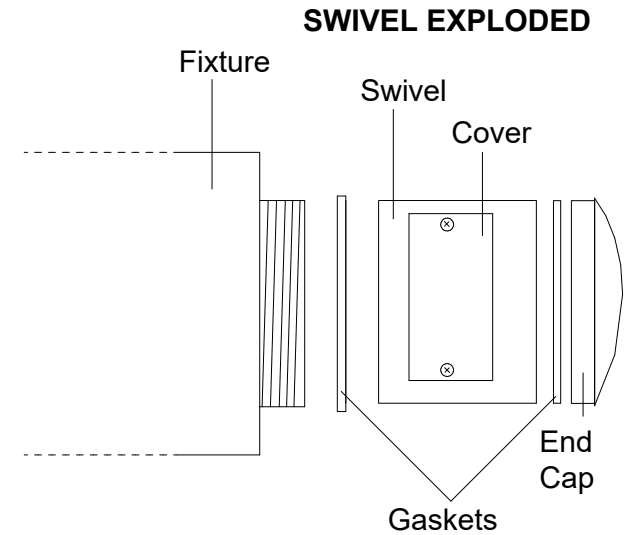
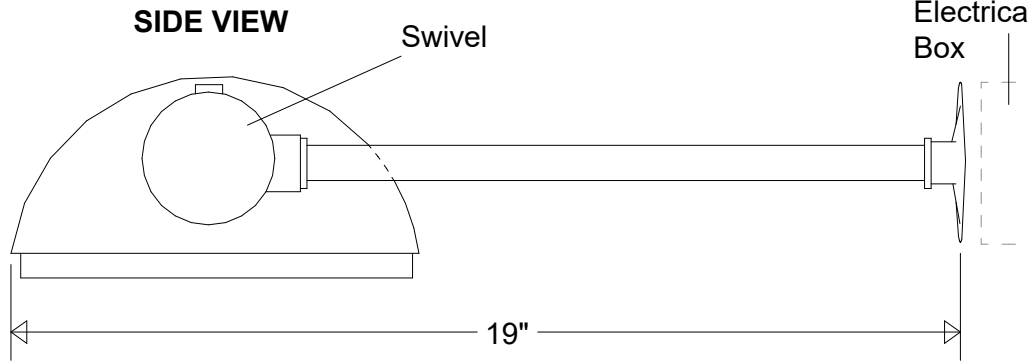
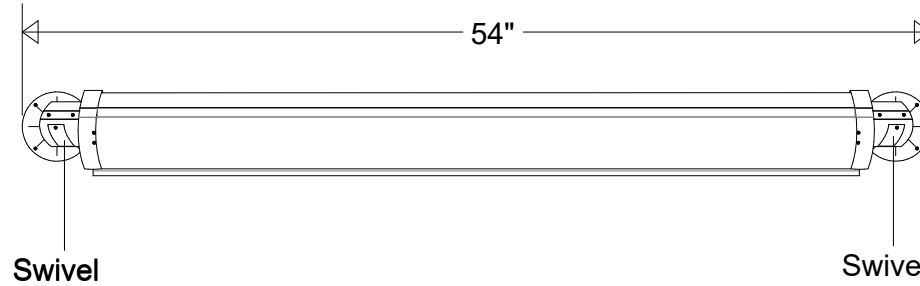


Primelite Manufacturing Corp

407 S Main St, Freeport, NY 11520

Phone: 516-868-4411 | Fax: 516-868-4609
 sales@primelite-mfg.com | www.primelite-mfg.com

PART # #5748	LAMP LED	VOLTAGE 120 V	COLOR Powder Coated White Paint
JOB NAME			TYPE Linear Sign Light



Lamp: LED 26	Name	Date	Sign Light #5748 LED 26	
Drawn	CB	10/19		
Checked			54" W 7" H 19" Ext	
ENG Appr.			35K = 4010 Lm 50K = 4110 Lm	
MFR Appr.			Size	Drawing No.
Construction: Aluminum	QA		A	0001
Unless Otherwise Specified: Dimensions in Inches	Weight		Scale	Sheet
			CAD File	1 of 1

Revisions				
Zone	Rev	Description	Date	Approved