

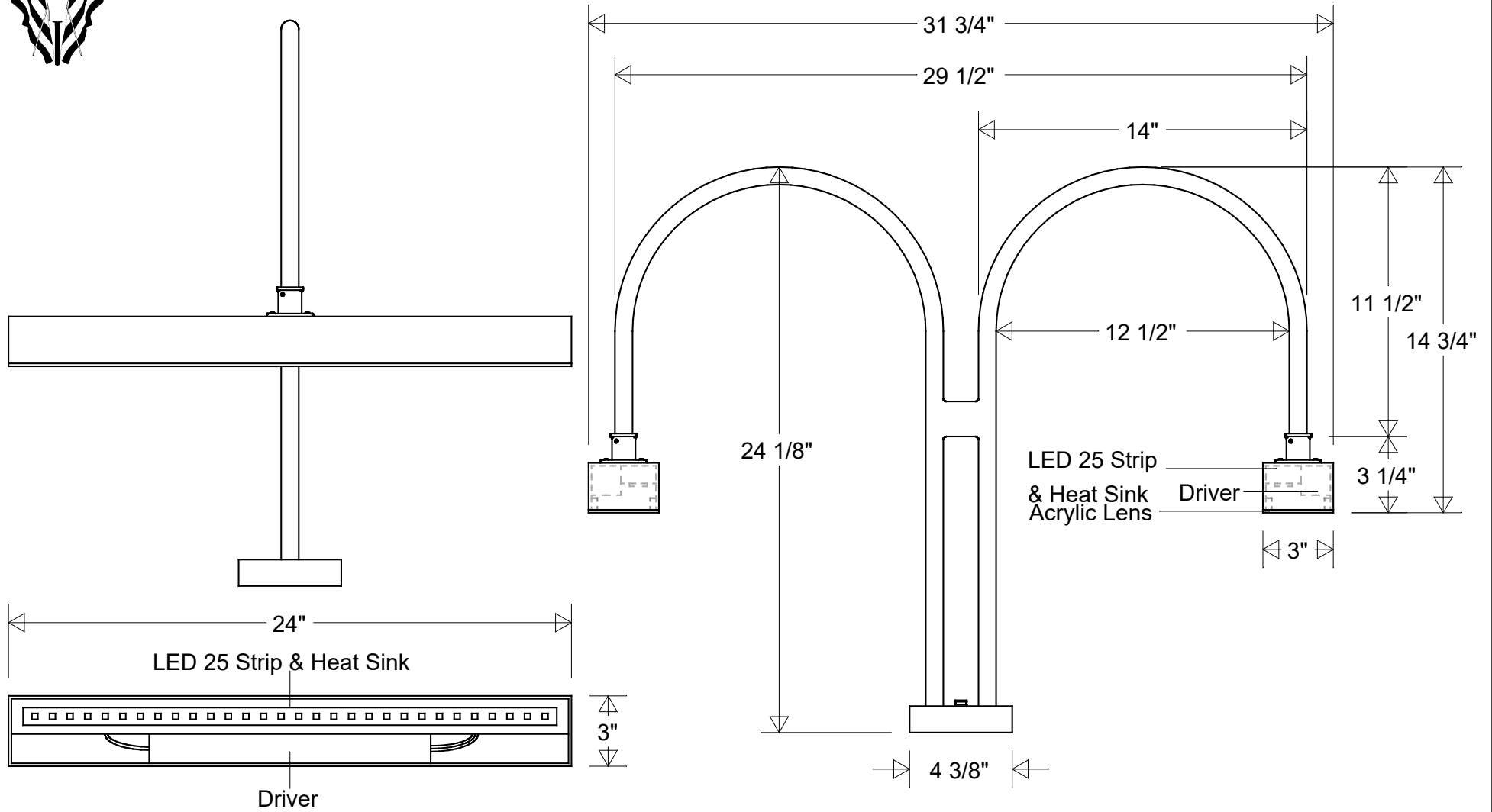


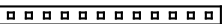
Primelite Manufacturing Corp

407 S Main St, Freeport, NY 11520

Phone: 516-868-4411 | Fax: 516-868-4609
 sales@primelite-mfg.com | www.primelite-mfg.com

| | | | |
|------------------------------|----------------------|------------------------|------------------------------|
| PART # #5744/852-2 LED 50 | LAMP Built-In LED | VOLTAGE 120 - 277 V | COLOR Powder Coated Paint |
| JOB NAME | | | TYPE Linear Parapet Light |



| | | | | | | |
|--|-----------|------|---|--|---------------|---------|
| Lamp: LED 25 Strip 35K = 3920 Lumens 5K = 3920 Lumens  | Initials | Date | Parapet Light #5744/852-2 LED 50 | | | |
| | Drawn | CB | | | | 09/2022 |
| | Checked | | | 24" L 31 3/4" Ext 24 1/8" H | | |
| | ENG Appr. | | | Acrylic Lens: White (-3) Clear (-4) Frosted (-5) | | |
| Construction: Aluminum Acrylic | MFR Appr. | | Size | Drawing No. | Rev | |
| | QA | | A | 0001 | A | |
| Unless Otherwise Specified: Dimensions in Inches | Weight: | | Scale | CAD File | Sheet | |
| | | | | | 1 of 1 | |

| Revisions | | | | |
|-----------|-----|-------------|------|------|
| Zone | Rev | Description | Date | Appr |
| | | | | |
| | | | | |
| | | | | |