

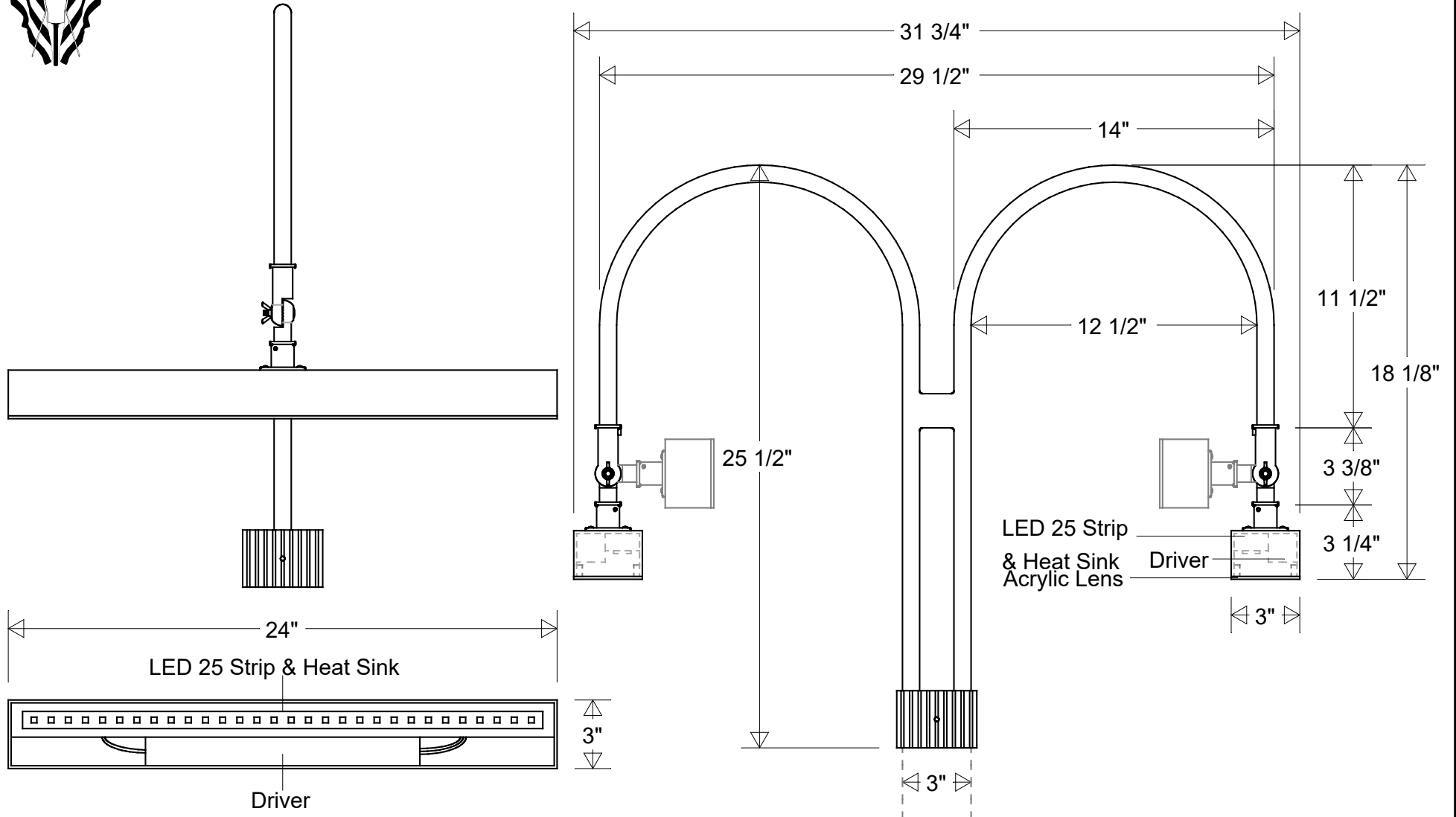


# Primelite Manufacturing Corp

407 S Main St, Freeport, NY 11520

Phone: 516-868-4411 | Fax: 516-868-4609  
 sales@primelite-mfg.com | www.primelite-mfg.com

<b>PART #</b> #5744/1864 ESW LED 50	<b>LAMP</b> Built-In LED	<b>VOLTAGE</b> 120 - 277 V	<b>COLOR</b> Powder Coated Paint
<b>JOB NAME</b>			<b>TYPE</b> Linear Post Light



<b>Lamp: LED 25 Strip</b> 35K = 3920 Lumens 5K = 3920 Lumens  	<b>Initials</b>	<b>Date</b>	<h2>Post Light #5744/1864 ESW LED 50</h2> <p>24" L   31 3/4" Ext   25 1/2" H   Fits 3" OD Round Posts</p> <p>Acrylic Lens: White (-3)   Clear (-4)   Frosted (-5)</p>	
	<b>Drawn</b>	CB		09/2022
	<b>Checked</b>			
	<b>ENG Appr.</b>			
<b>Construction:</b> Aluminum   Acrylic	<b>MFR Appr.</b>		<b>Size</b> <b>Drawing No.</b> <b>Rev</b> <b>A</b> <b>0001</b> <b>A</b>	
	<b>QA</b>			
<b>Unless Otherwise Specified:</b> Dimensions in Inches	<b>Weight:</b>	<b>Scale</b>	<b>CAD File</b> <b>Sheet</b> <b>1 of 1</b>	

Revisions				
Zone	Rev	Description	Date	Appr