

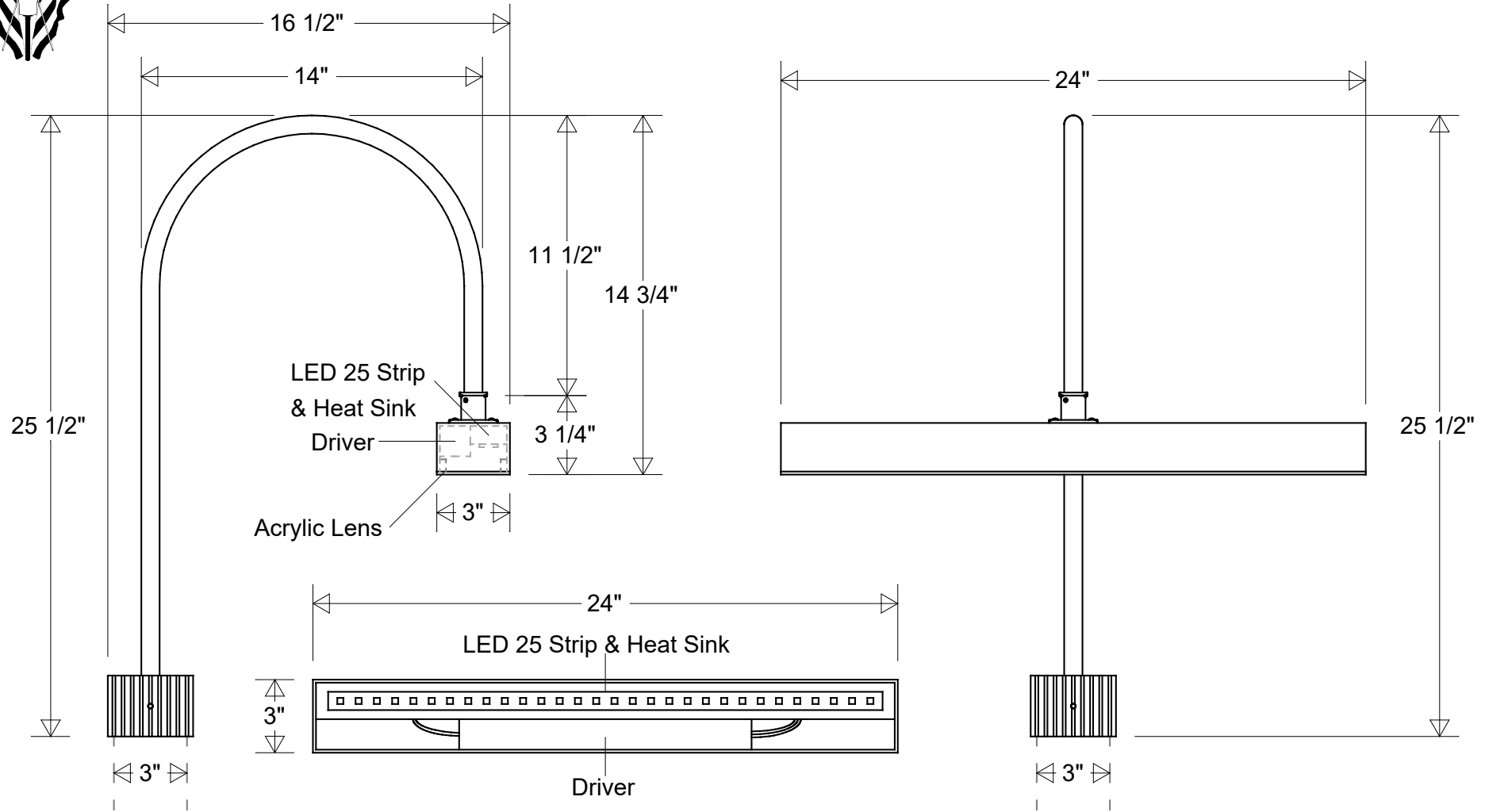


Primelite Manufacturing Corp

407 S Main St, Freeport, NY 11520

Phone: 516-868-4411 | Fax: 516-868-4609
 sales@primelite-mfg.com | www.primelite-mfg.com

PART # #5744/1862 LED 25	LAMP Built-In LED	VOLTAGE 120 - 277 V	COLOR Powder Coated Paint
JOB NAME			TYPE Linear Post Light



Lamp: LED 25 Strip
 35K = 3920 Lumens
 5K = 3920 Lumens

	Initials	Date
Drawn	CB	09/2022
Checked		
ENG Appr.		
MFR Appr.		
QA		

Post Light #5744/1862 LED 25

24" L | 16 1/2" Ext | 25 1/2" H | Fits 3" OD Round Posts
 Acrylic Lens: White (-3) | Clear (-4) | Frosted (-5)

Revisions				
Zone	Rev	Description	Date	Appr

Construction:
 Aluminum | Acrylic

Weight:

Size A	Drawing No. 0001	Rev A
-------------------------	-----------------------------------	------------------------

Unless Otherwise Specified:
 Dimensions in Inches

Scale	CAD File	Sheet 1 of 1
--------------	-----------------	-------------------------------