

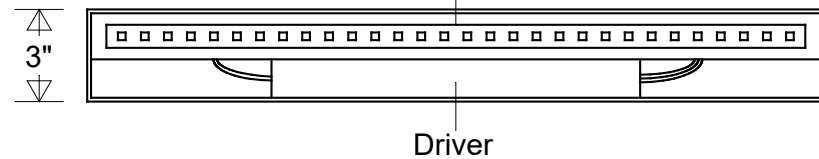
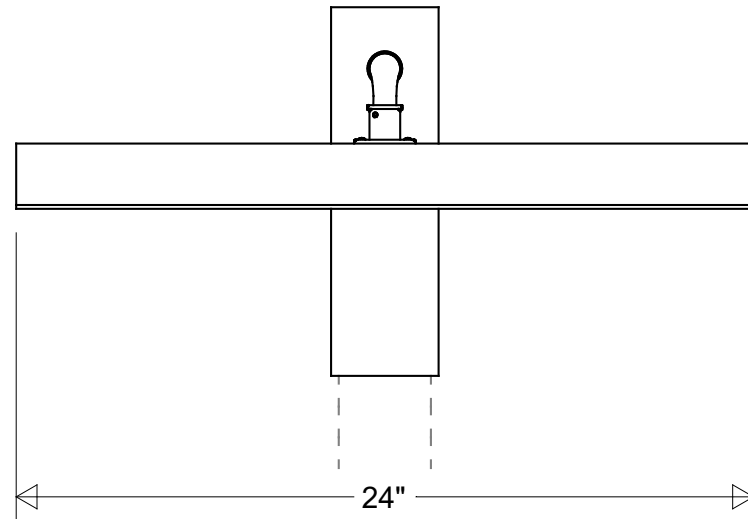
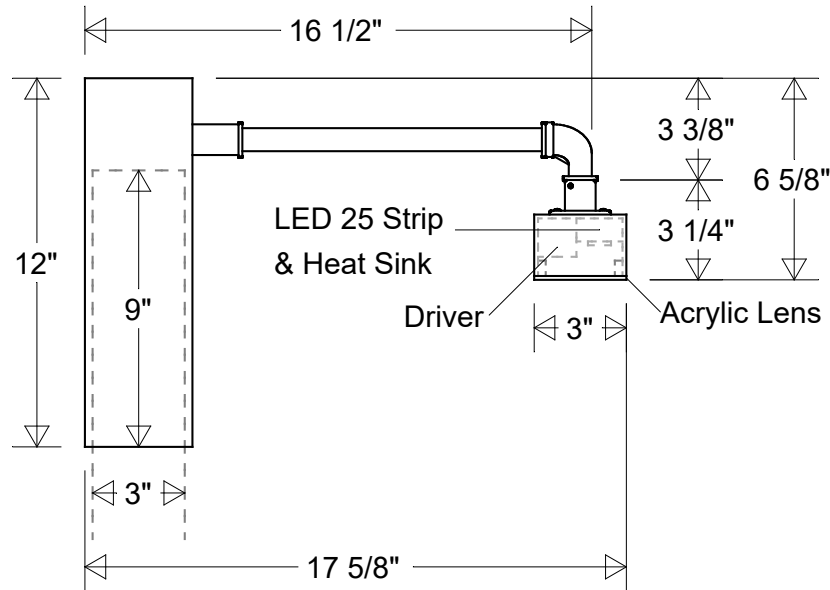


Primelite Manufacturing Corp

407 S Main St, Freeport, NY 11520

Phone: 516-868-4411 | Fax: 516-868-4609
 sales@primelite-mfg.com | www.primelite-mfg.com

PART # #5744/1855-13 LED 25	LAMP Built-In LED	VOLTAGE 120 - 277 V	COLOR Powder Coated Paint
JOB NAME			TYPE Linear Post Light



Lamp: LED 25 Strip
 35K = 3920 Lumens
 5K = 3920 Lumens



	Initials	Date
Drawn	CB	09/2022
Checked		
ENG Appr.		
MFR Appr.		
QA		

Post Light #5744/1855-13 LED 25

24" L | 17 5/8" Ext | 12" H | Fits 3" OD Round Posts

Acrylic Lens: White (-3) | Clear (-4) | Frosted (-5)

Size	Drawing No.	Rev
A	0001	A

Revisions				
Zone	Rev	Description	Date	Appr

Construction:
 Aluminum | Acrylic

Unless Otherwise Specified:
 Dimensions in Inches

Weight:

Scale	CAD File	Sheet
		1 of 1