

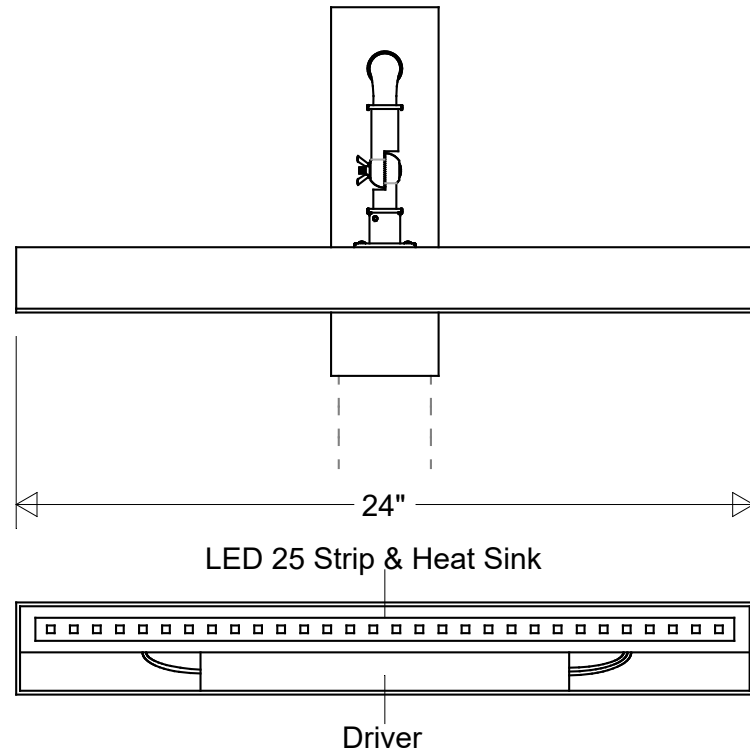
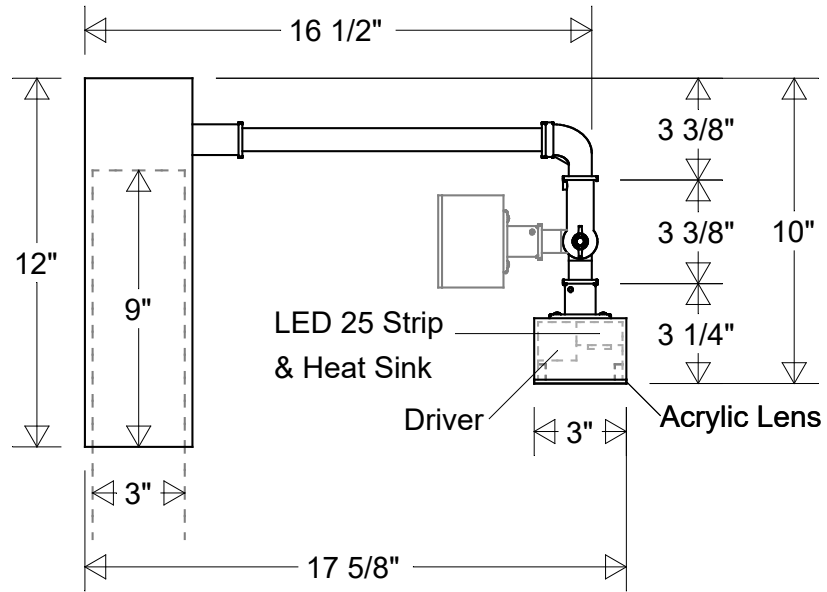


# Primelite Manufacturing Corp

407 S Main St, Freeport, NY 11520

Phone: 516-868-4411 | Fax: 516-868-4609  
 sales@primelite-mfg.com | www.primelite-mfg.com

<b>PART #</b> #5744/1855-13 ESW LED 25	<b>LAMP</b> Built-In LED	<b>VOLTAGE</b> 120 - 277 V	<b>COLOR</b> Powder Coated Paint
<b>JOB NAME</b>			<b>TYPE</b> Linear Post Light



Lamp: LED 25 Strip  
 35K = 3920 Lumens  
 5K = 3920 Lumens



Construction:  
 Aluminum | Acrylic

Unless Otherwise Specified:  
 Dimensions in Inches

	<b>Initials</b>	<b>Date</b>
<b>Drawn</b>	CB	09/2022
<b>Checked</b>		
<b>ENG Appr.</b>		
<b>MFR Appr.</b>		
<b>QA</b>		

## Post Light #5744/1855-13 ESW LED 25

24" L | 17 5/8" Ext | 12" H | Fits 3" OD Round Posts

Acrylic Lens: White (-3) | Clear (-4) | Frosted (-5)

<b>Size</b>	<b>Drawing No.</b>	<b>Rev</b>
<b>A</b>	<b>0001</b>	<b>A</b>

<b>Scale</b>	<b>CAD File</b>	<b>Sheet</b>
		<b>1 of 1</b>

Revisions				
Zone	Rev	Description	Date	Appr