

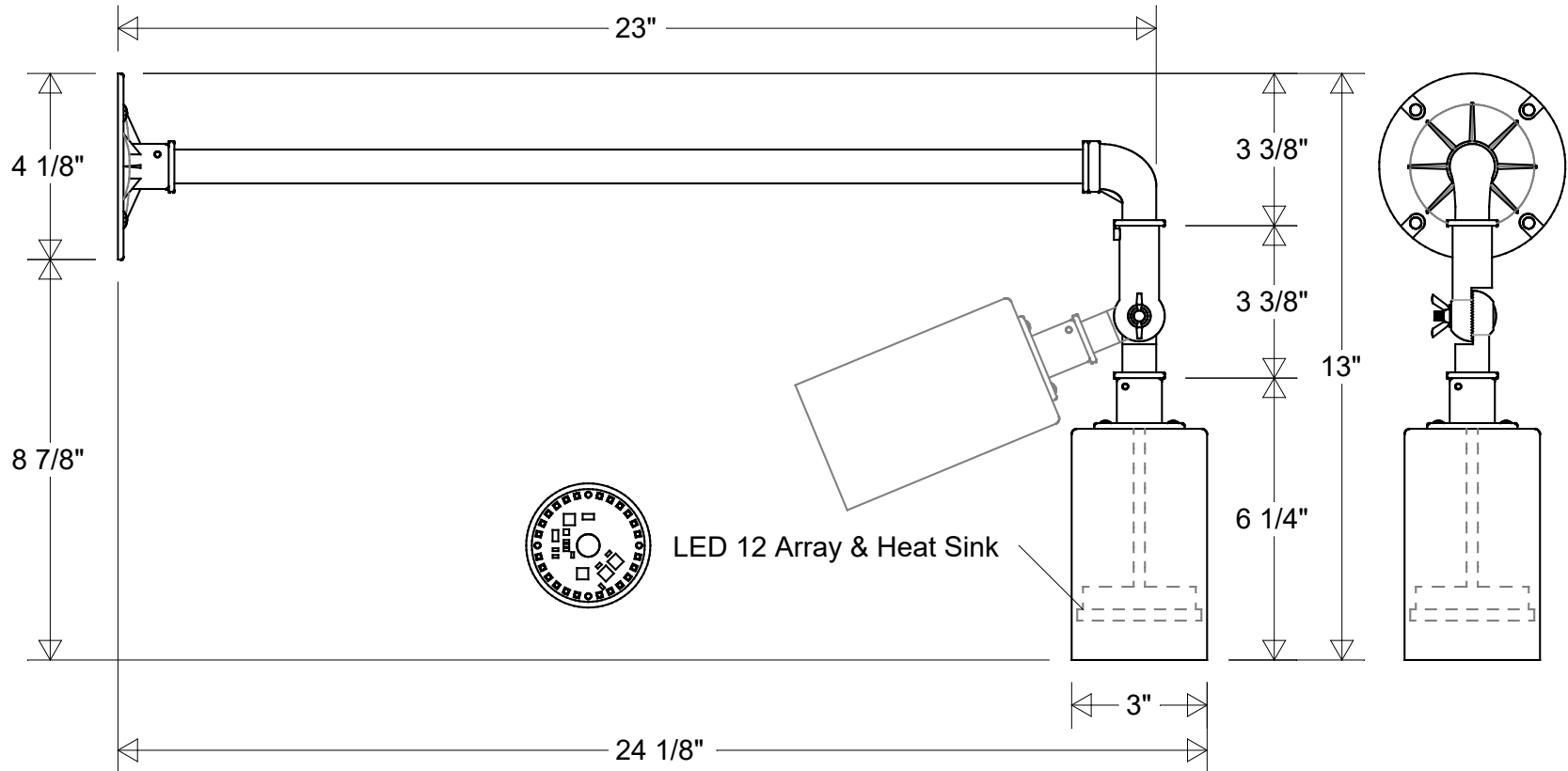


# Primelite Manufacturing Corp

407 S Main St, Freeport, NY 11520

Phone: 516-868-4411 | Fax: 516-868-4609  
sales@primelite-mfg.com | www.primelite-mfg.com

PART # #57/855 ESW LED 12	LAMP Built-In LED	VOLTAGE 120 V	COLOR Powder Coated Paint
JOB NAME			TYPE Gooseneck



<b>Lamp: LED 12 Array</b> 60 W Inc Equivalent 3K = 1140 Lumens 4K = 1280 Lumens	Initials	Date	<b>Gooseneck #57/855 ESW LED 12</b> 3" Dia   24 1/8" Ext   13" H 8 7/8" Below Box   Swivel		
	Drawn	CB			01/2023
	Checked				
Construction: Aluminum	MFR Appr.		Size	Drawing No.	Rev
	QA		<b>A</b>	<b>0001</b>	<b>A</b>
Unless Otherwise Specified: Dimensions in Inches	Weight:		Scale	CAD File	Sheet
					<b>1 of 1</b>

Revisions				
Zone	Rev	Description	Date	Appr