

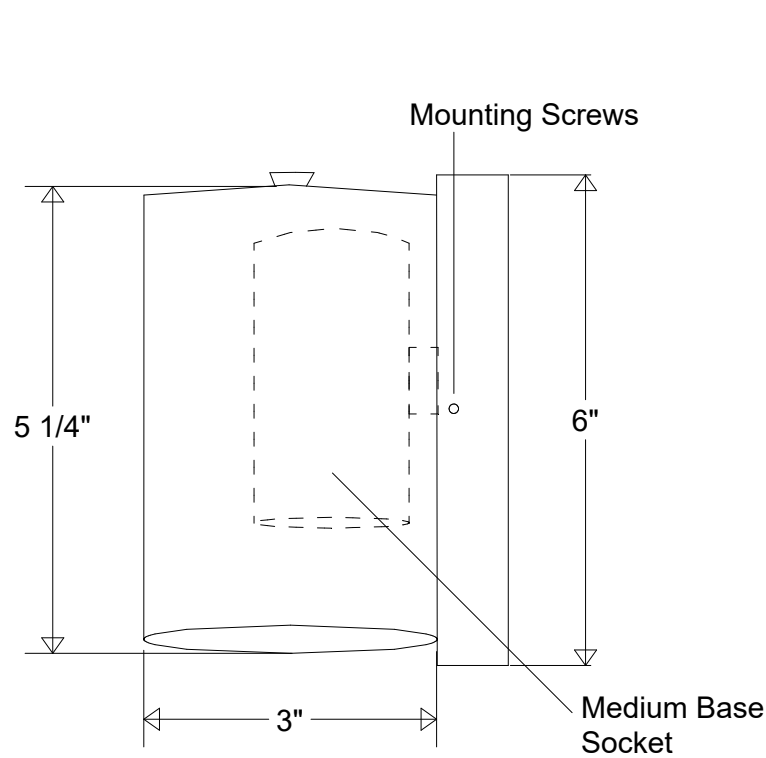


Primelite Manufacturing Corp

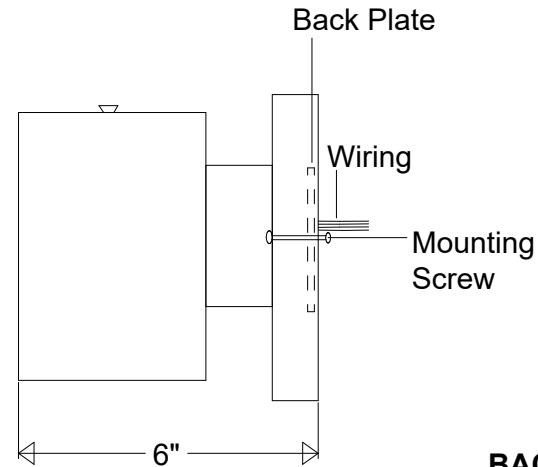
407 S Main St, Freeport, NY 11520

Phone: 516-868-4411 | Fax: 516-868-4609
 sales@primelite-mfg.com | www.primelite-mfg.com

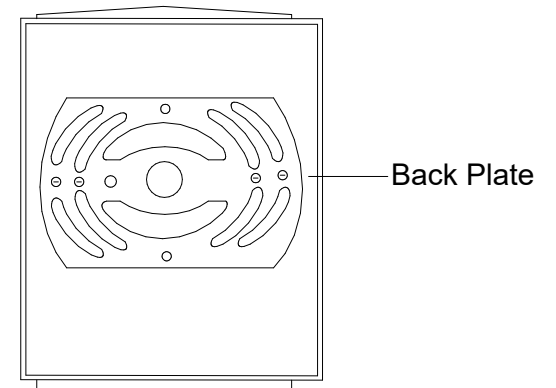
PART # #57/62	LAMP Incandescent	VOLTAGE 120 V	COLOR Powder Coated Paint
JOB NAME			TYPE Wall Sconce




SIDE VIEW



BACK VIEW



Lamp: Incandescent Max Wattage: 1/60A 	Name	Date	Wall Sconce #57/62			
	Drawn	CB				2/2020
	Checked			3" Dia 5 1/4" H 6" Ext		
	ENG Appr.					
	MFR Appr.			Size	Drawing No.	Rev
Construction: Aluminum	QA		A	0001	A	
Unless Otherwise Specified: Dimensions in Inches	Weight		Scale	CAD File	Sheet 1 of 1	

Revisions				
Zone	Rev	Description	Date	Approved