



Primelite Manufacturing Corp

407 S Main St, Freeport, NY 11520

Phone: 516-868-4411 | Fax: 516-868-4609

sales@primelite-mfg.com | www.primelite-mfg.com

PART #

#57/62

LAMP

Built-In LED

VOLTAGE

120 V

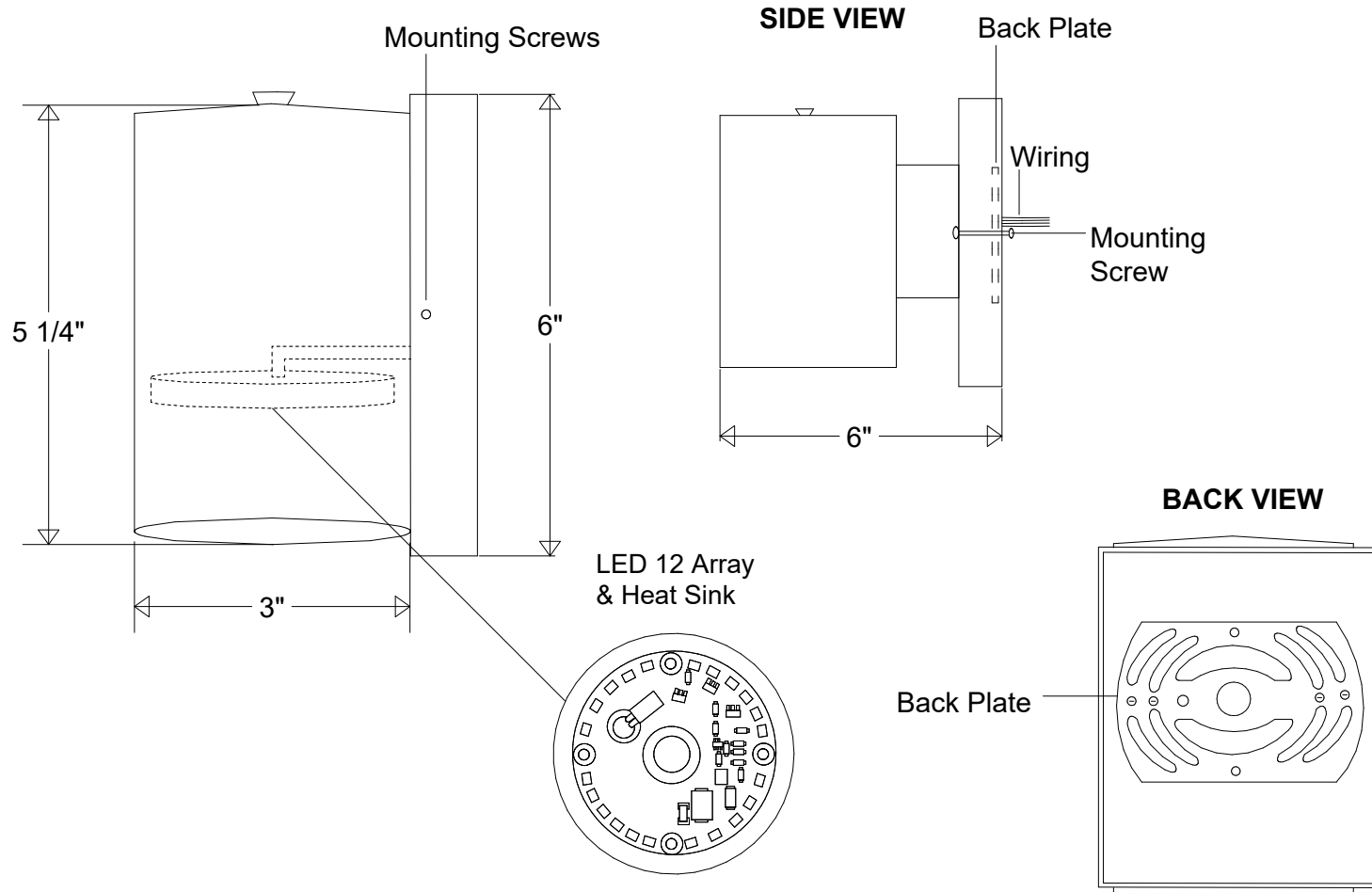
COLOR


Powder Coated Paint

JOB NAME

TYPE

Wall Sconce



Lamp: LED 12 Array 800 Lumens 60 W Inc Equivalent 	Name		Date		Wall Sconce #57/62 LED 12
	Drawn	CB	2/2020		
	Checked				
	ENG Appr.				3" Dia 5 1/4" H 6" Ext
	MFR Appr.		Size	Drawing No.	Rev
Construction: Aluminum	QA	A	0001	A	
Unless Otherwise Specified: Dimensions in Inches	Weight	Scale	CAD File	Sheet	1 of 1

Revisions				
Zone	Rev	Description	Date	Approved