



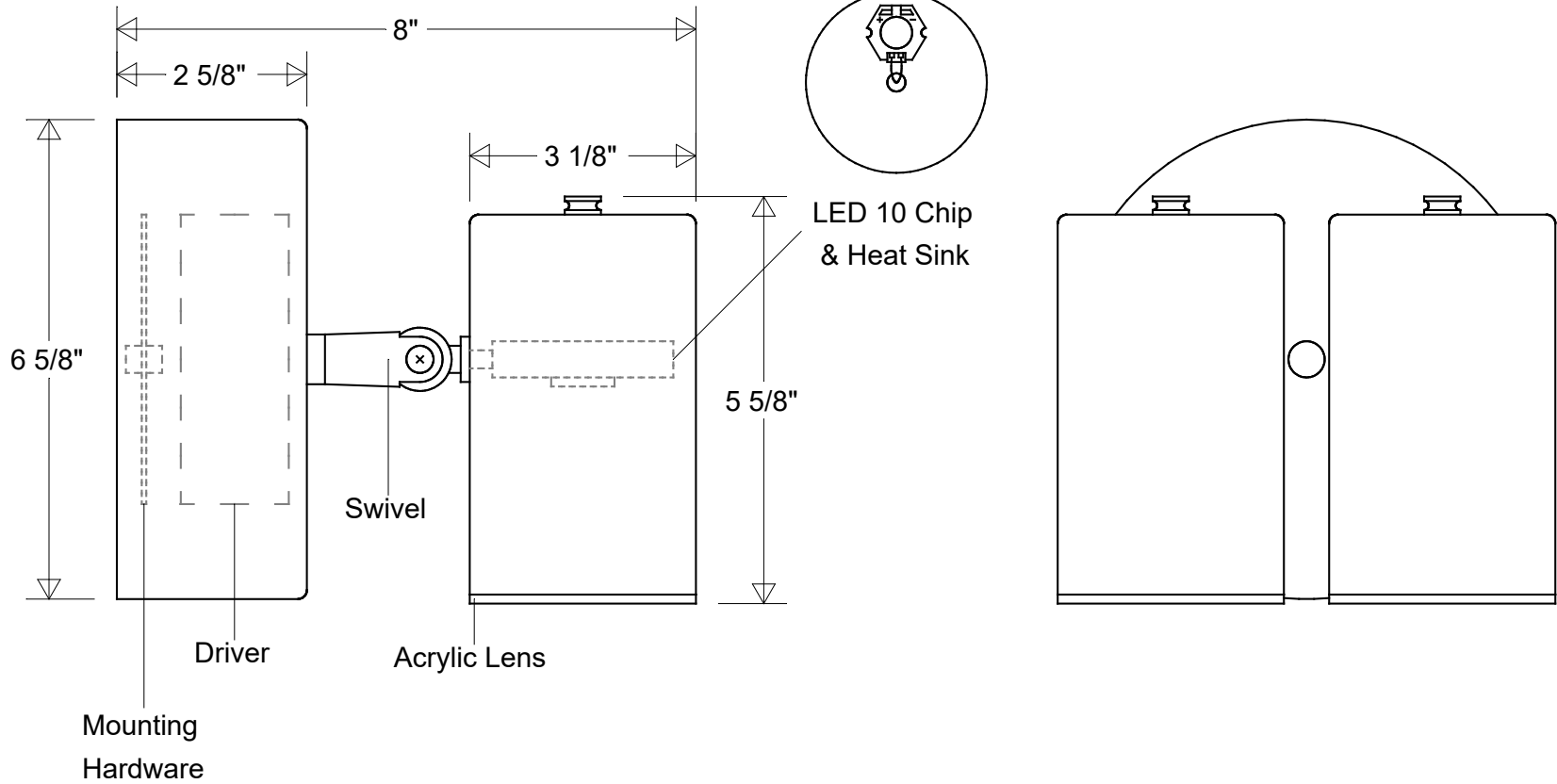
Primelite Manufacturing Corp

407 S Main St, Freeport, NY 11520

Phone: 516-868-4411 | Fax: 516-868-4609

sales@primelite-mfg.com | www.primelite-mfg.com

PART # #57-542 LED 20	LAMP Built-In LED	VOLTAGE 120 - 277 V	COLOR Powder Coated Paint
JOB NAME			TYPE Wall Sconce



Lamp: LED 10 Chip 100 W Inc Equivalent 3K = 1641 Lumens 4K = 1689 Lumens	<input type="checkbox"/> Initials <input type="checkbox"/> Date	<h2>#57-542 LED 20</h2>		
	Drawn CB 03/2023			
	Checked	3 1/8" Dia 8" Ext 6 5/8" H Clear Acrylic Lens		
	ENG Appr.			
Construction: Aluminum Acrylic	MFR Appr.	Size A	Drawing No. 0001	Rev A
Unless Otherwise Specified: Dimensions in Inches	Weight:	Scale	CAD File	Sheet 1 of 1

Revisions				
Zone	Rev	Description	Date	Appr