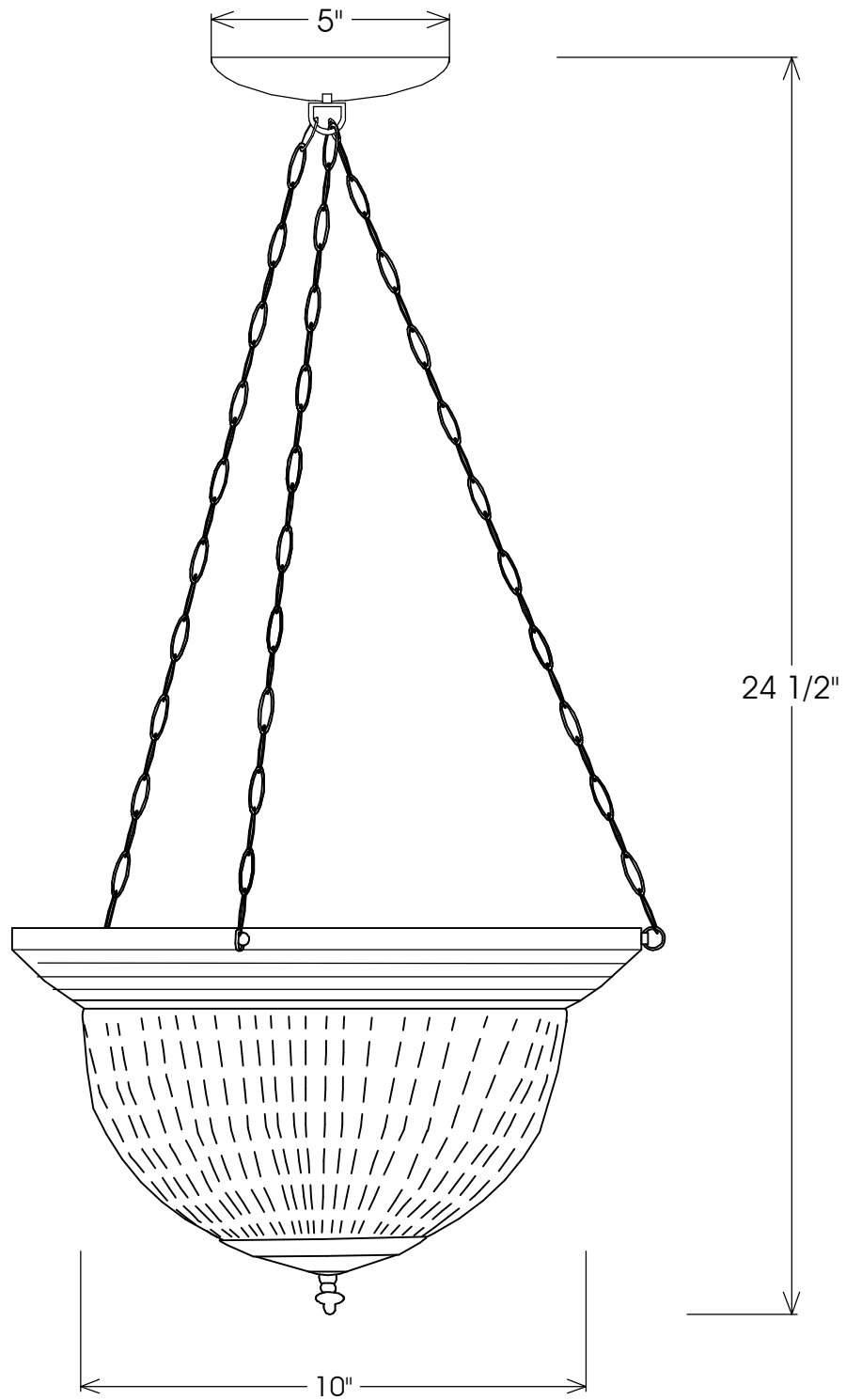


Closeout



Unless Otherwise Specified: Dimensions in Inches Tolerances: Fractional ± Angular: Mach ± Bend ± Two Place Decimal ± Three Place Decimal ±		Name	Date	Primelite Mfg. Corp.		
	Drawn	T.A.R.	11/8/10			
	Checked					
	ENG Appr.					
	MFR Appr.					
	QA			Size	Drawing No.	Rev
Construction: Steel, glass	Comments CAD Generated Drawing Do Not Manually Update			A	0001	A
Lamp: 2-40A				Scale	CAD File	Sheet