

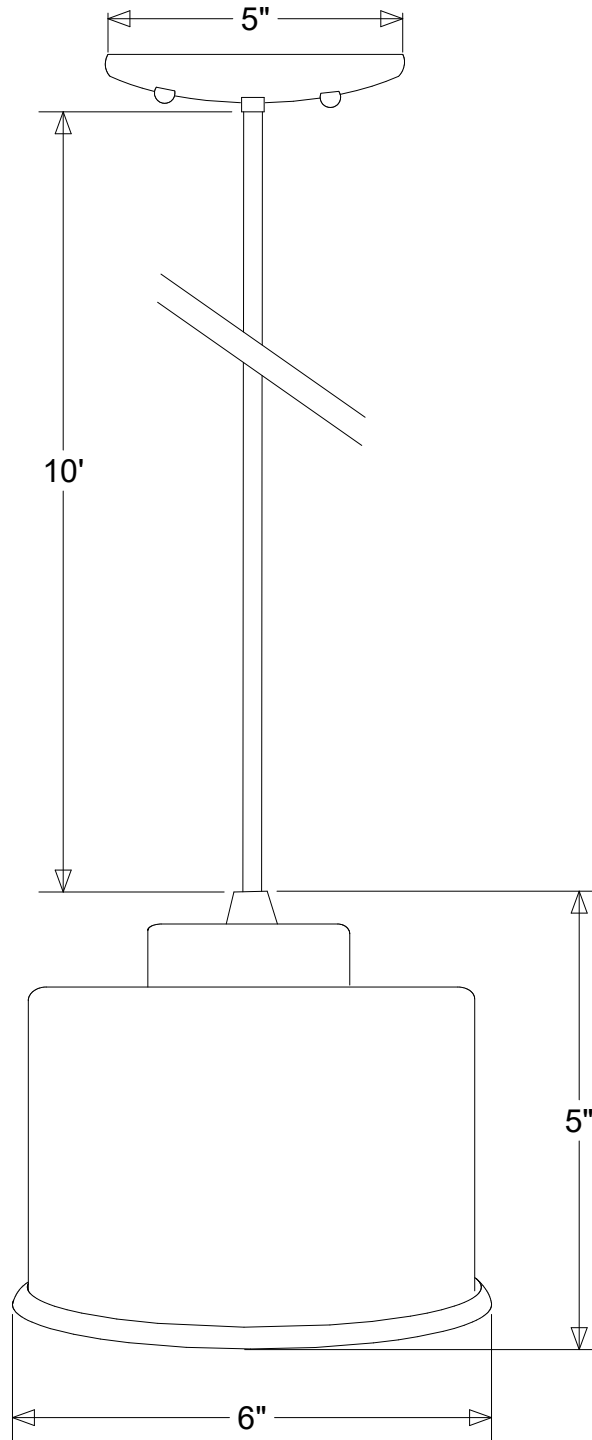


# Primelite Manufacturing Corp

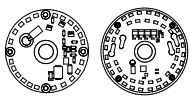
407 S Main St, Freeport, NY 11520

Phone: 516-868-4411 | Fax: 516-868-4609  
 sales@primelite-mfg.com | www.primelite-mfg.com

PART # <b>#56</b>	LAMP Incandescent   LED	VOLTAGE 120 V	COLOR Powder Coated Paint
JOB NAME			TYPE Pendant



Lamp: Incandescent | LED



LED 12 | LED 22

Construction: Aluminum

Unless Otherwise Specified:  
Dimensions in Inches

Name	Date	<b>Pendant #56</b>		
Drawn	CB			
Checked		6" Dia   5" H   10' Vinyl Cord		
ENG Appr.				
MFR Appr.		Size	Drawing No.	Rev
QA		<b>A</b>	<b>0001</b>	<b>A</b>
Weight		Scale	CAD File	Sheet
				<b>1 of 1</b>

Revisions				
Zone	Rev	Description	Date	Approved