

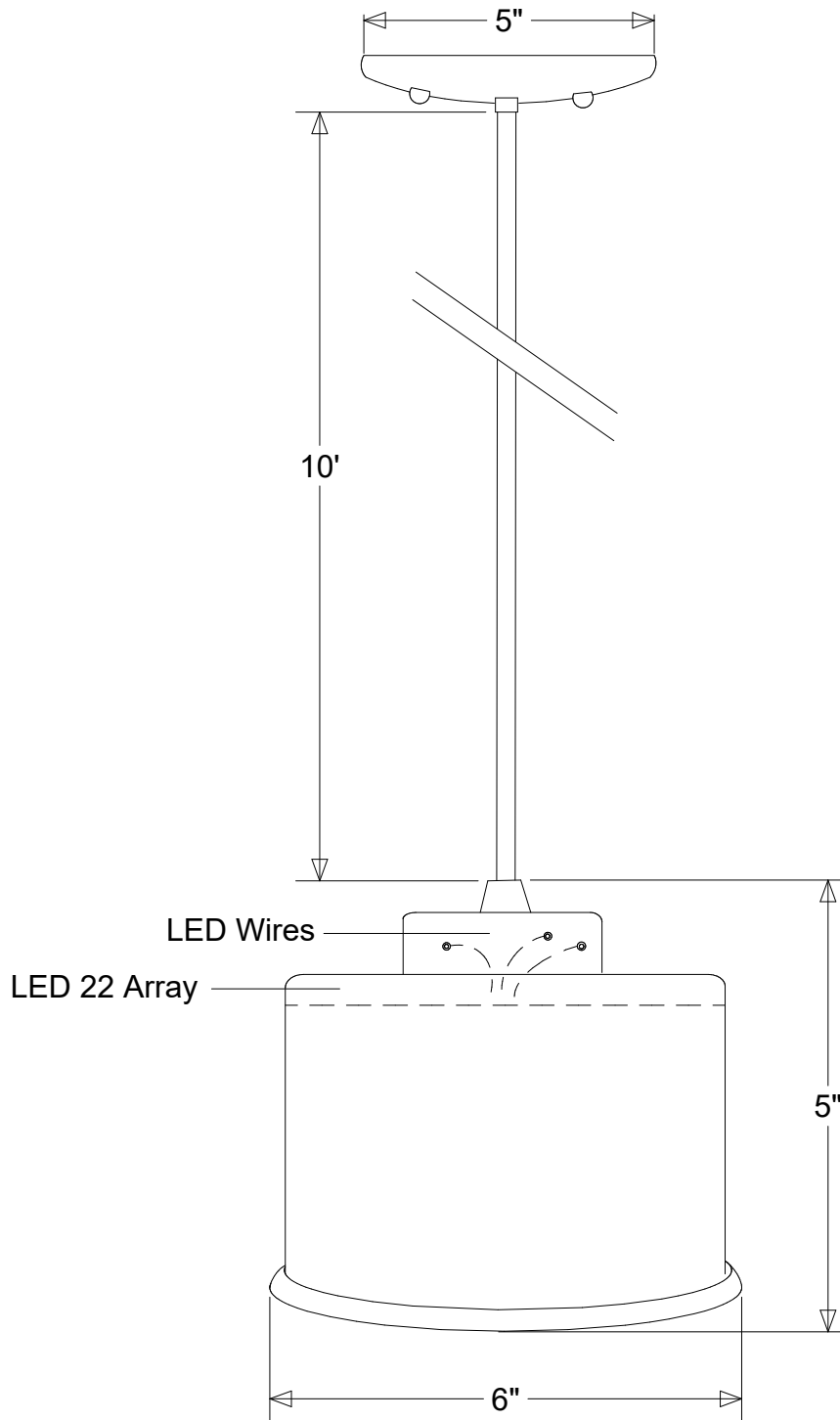



Primelite Manufacturing Corp

407 S Main St, Freeport, NY 11520

Phone: 516-868-4411 | Fax: 516-868-4609
 sales@primelite-mfg.com | www.primelite-mfg.com

PART # #56	LAMP Incandescent LED	VOLTAGE 120 V	COLOR Powder Coated Paint
JOB NAME			TYPE Pendant



Lamp: Incandescent LED  LED 22	Name		Date		Pendant #56 LED 22 6" Dia 5" H 10' Vinyl Cord					
	Drawn	CB	8/19							
	Checked				Size	Drawing No.	Rev	Revisions		
	ENG Appr.							Zone	Rev	Description
Construction: Aluminum	MFR Appr.				A	0001	A			
Unless Otherwise Specified: Dimensions in Inches	QA							Scale	CAD File	Sheet
	Weight							1 of 1		