



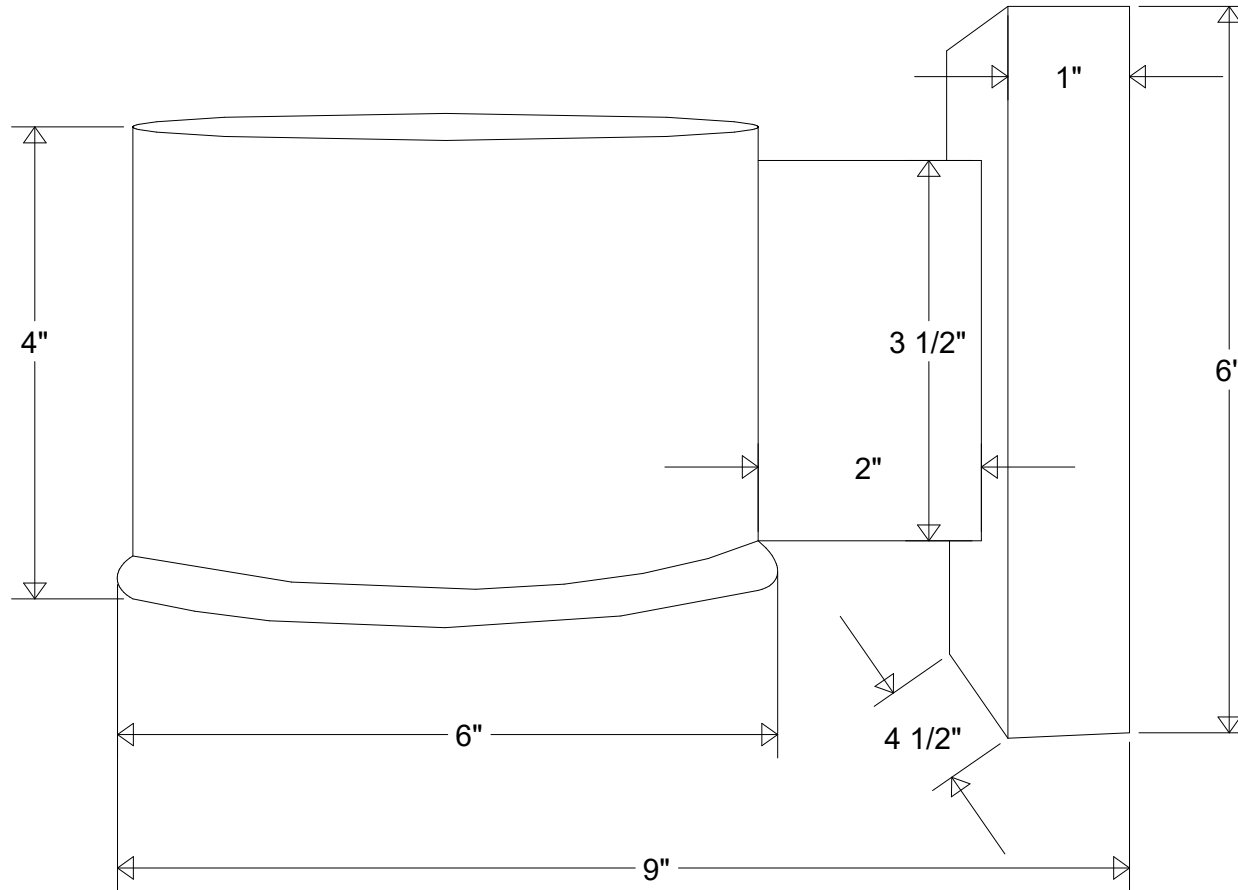
# Primelite Manufacturing Corp

407 S Main St, Freeport, NY 11520

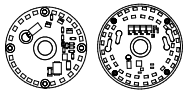
Phone: 516-868-4411 | Fax: 516-868-4609

sales@primelite-mfg.com | www.primelite-mfg.com

<b>PART #</b> #56/62	<b>LAMP</b> Incandescent   LED	<b>VOLTAGE</b> 120 V	<b>COLOR</b> Powder Coated Paint
<b>JOB NAME</b>			<b>TYPE</b> Wall Sconce



Lamp: Incandescent | LED



LED 12 | LED 22

Name Date

Drawn CB 9/19

Checked

ENG Appr.

MFR Appr.

QA

Weight

## Wall Sconce #56/62

6" Ht | 9" Ext | 6" Dia

Size Drawing No. Rev  
**A 0001 A**

Scale CAD File Sheet  
**1 of 1**

Revisions				
Zone	Rev	Description	Date	Approved