

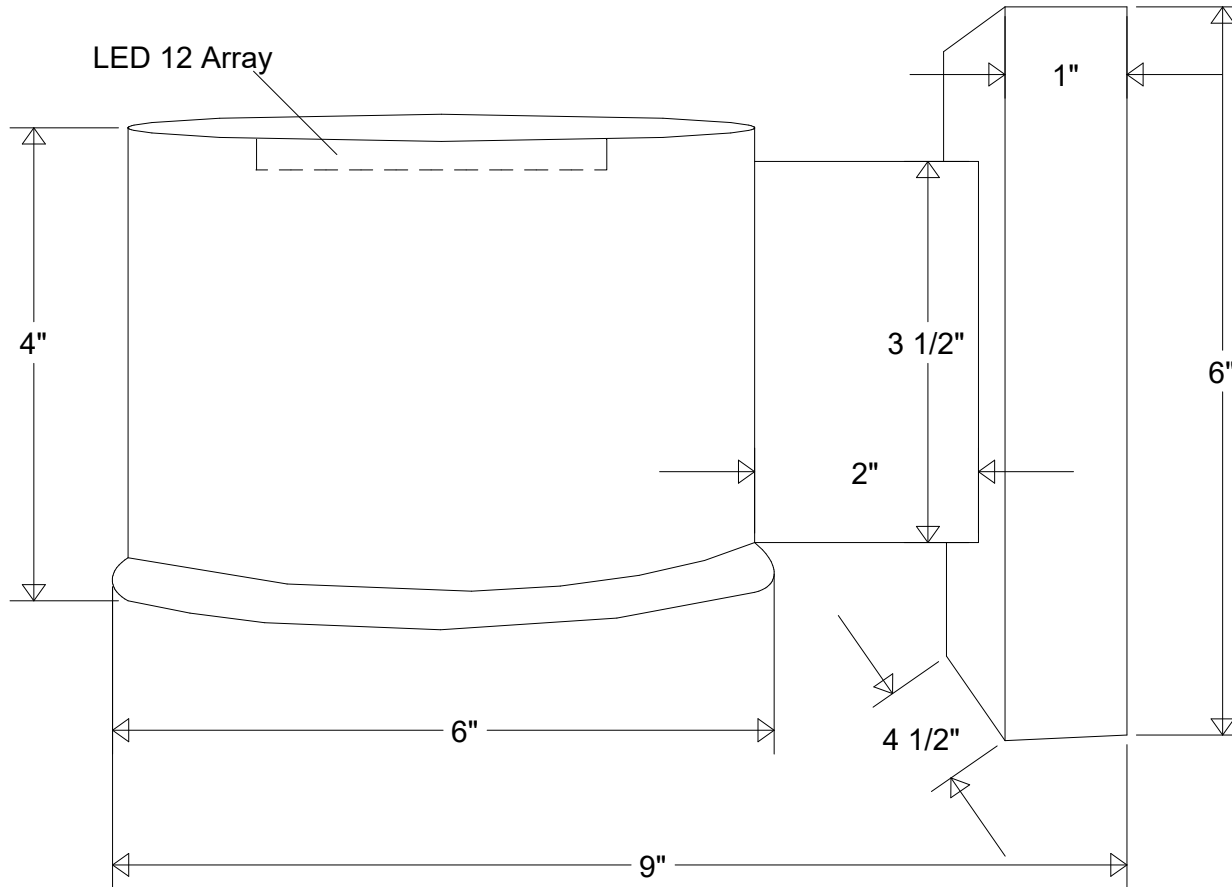



Primelite Manufacturing Corp

407 S Main St, Freeport, NY 11520

Phone: 516-868-4411 | Fax: 516-868-4609
 sales@primelite-mfg.com | www.primelite-mfg.com

PART # #56/62	LAMP Incandescent LED	VOLTAGE 120 V	COLOR Powder Coated Paint
JOB NAME			TYPE Wall Sconce



Lamp: Incandescent LED  LED 12	Name	Date	Wall Sconce #56/62 LED 12 6" Ht 9" Ext 6" Dia 800 Lumens 66 Lm/W Equivalent to 60 W	
	Drawn	CB		9/19
	Checked			
	ENG Appr.			
MFR Appr.			Size Drawing No. Rev A 0001 A	
Construction: Aluminum	QA			
Unless Otherwise Specified: Dimensions in Inches	Weight	Scale	CAD File Sheet 1 of 1	

Revisions				
Zone	Rev	Description	Date	Approved