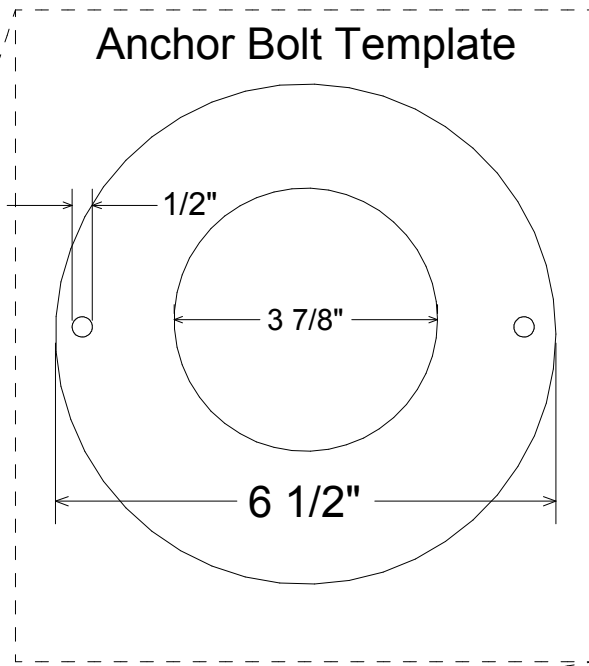
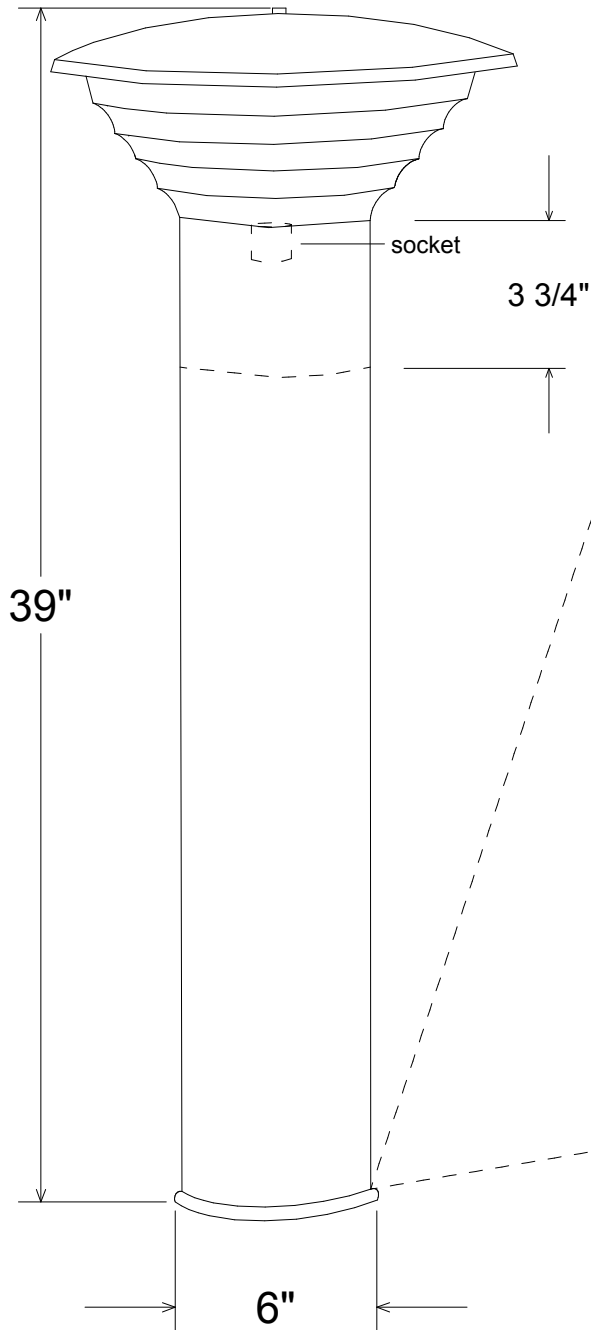


Revisions				
Zone	Rev	Description	Date	Approved



Approx. 25 lbs.

Unless Otherwise Specified: Dimensions in Inches Tolerances: Fractional ± Angular: Mach ± Bend ± Two Place Decimal ± Three Place Decimal ±	Name	Date	Primelight Mfg. Corp.		
	Drawn	T.A.R.			10/15/09
	Checked			5399	
	ENG Appr.				
	MFR Appr.				
Construction: All Aluminum	Comments		Size	Drawing No.	Rev
Custom Heights Available	CAD Generated Drawing Do Not Manually Update		A	0001	A
Lamp: 1-100A			Scale 1:6	CAD File	Sheet 1 of 1