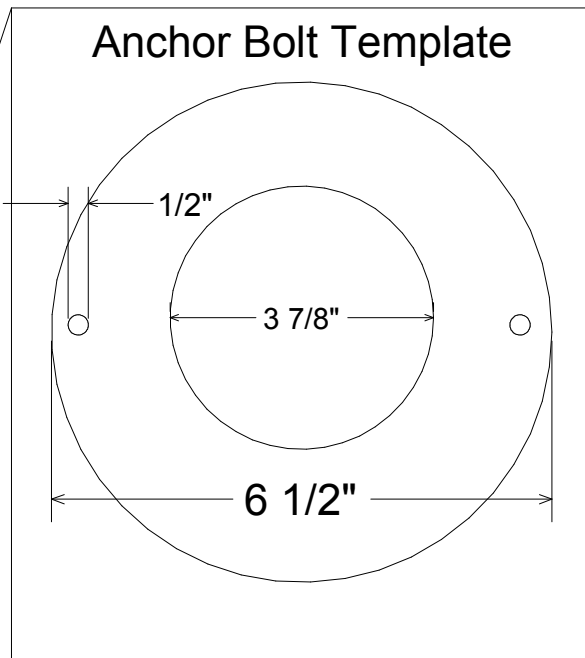
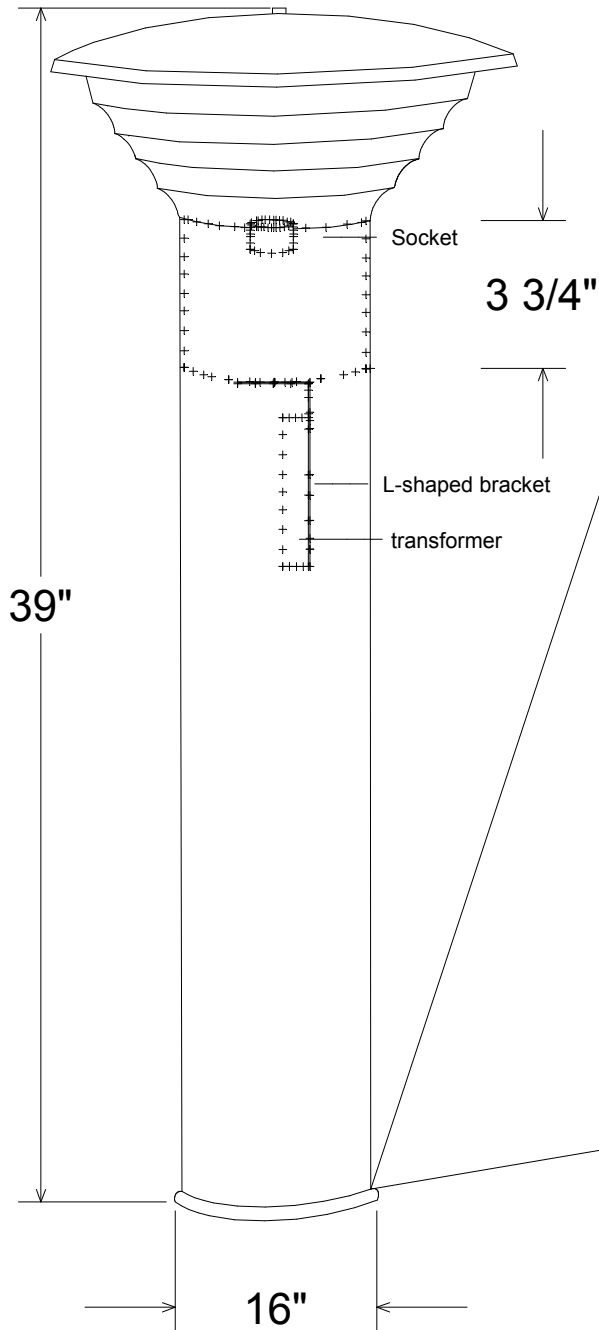


Revisions				
Zone	Rev	Description	Date	Approved



**Unless Otherwise Specified:**

Dimensions in Inches  
 Tolerances: Fractional ±  
 Angular: Mach ± Bend ±  
 Two Place Decimal ±  
 Three Place Decimal ±

**Construction: All Aluminum**

**Custom Heights Available**

**Lamp: 70 MH multitap**

Name	Date
Drawn T.A.R.	10/15/09
Checked	
ENG Appr.	
MFR Appr.	
QA	

**Comments**  
 CAD Generated Drawing  
 Do Not Manually Update

**Primelight Mfg. Corp.**

**5399**

1 Lt 39" Ht. 6" Diameter Step Acrylic Top  
 14 3/4" L-shaped bolts

Size <b>A</b>	Drawing No. <b>0001</b>	Rev <b>A</b>
Scale <b>1:13</b>	CAD File	Sheet <b>1 of 1</b>