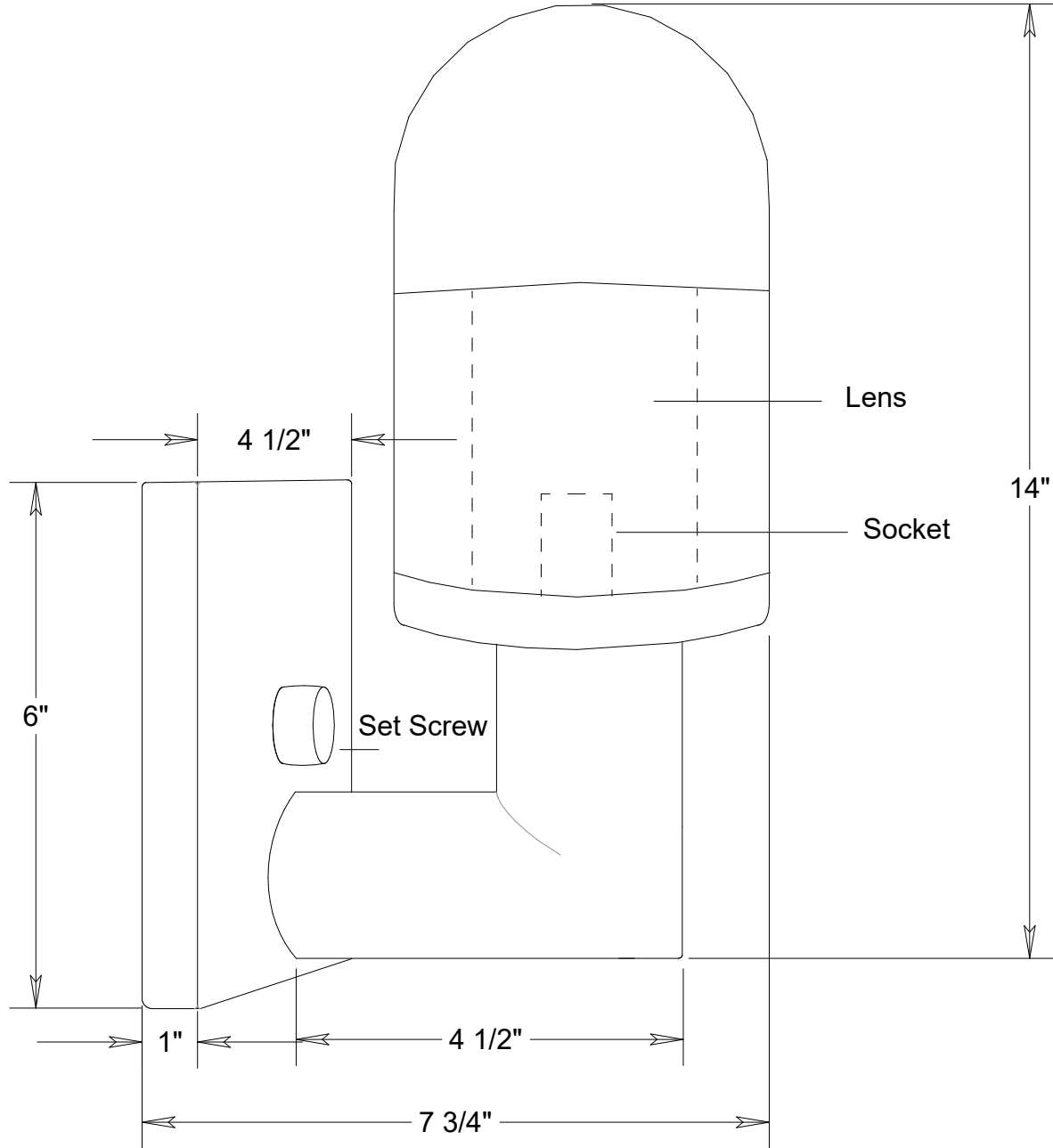




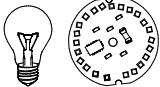
# Primelite Manufacturing Corp

407 S Main St, Freeport, NY 11520  
 Phone: 516-868-4411 | Fax: 516-868-4609  
 sales@primelite-mfg.com | www.primelite-mfg.com

PART # #535/3-825	LAMP Incandescent   LED	VOLTAGE 120 V	COLOR Powder Coated Paint
JOB NAME			TYPE Wall Bracket



Lamp: Incandescent | LED



1/200A | LED 16

Name Date

Drawn CB 5/19

Checked

ENG Appr.

MFR Appr.

QA

Weight

## Wall Bracket #535/3-825

6" Dia | 7 3/4" Ext | 14" Ht | Wall Bracket

Size  
**A**

Drawing No.  
**0001**

Rev  
**A**

Scale

CAD File

Sheet

**1 of 1**

Revisions				
Zone	Rev	Description	Date	Approved

Construction: Aluminum

Unless Otherwise Specified:  
Dimensions in Inches