

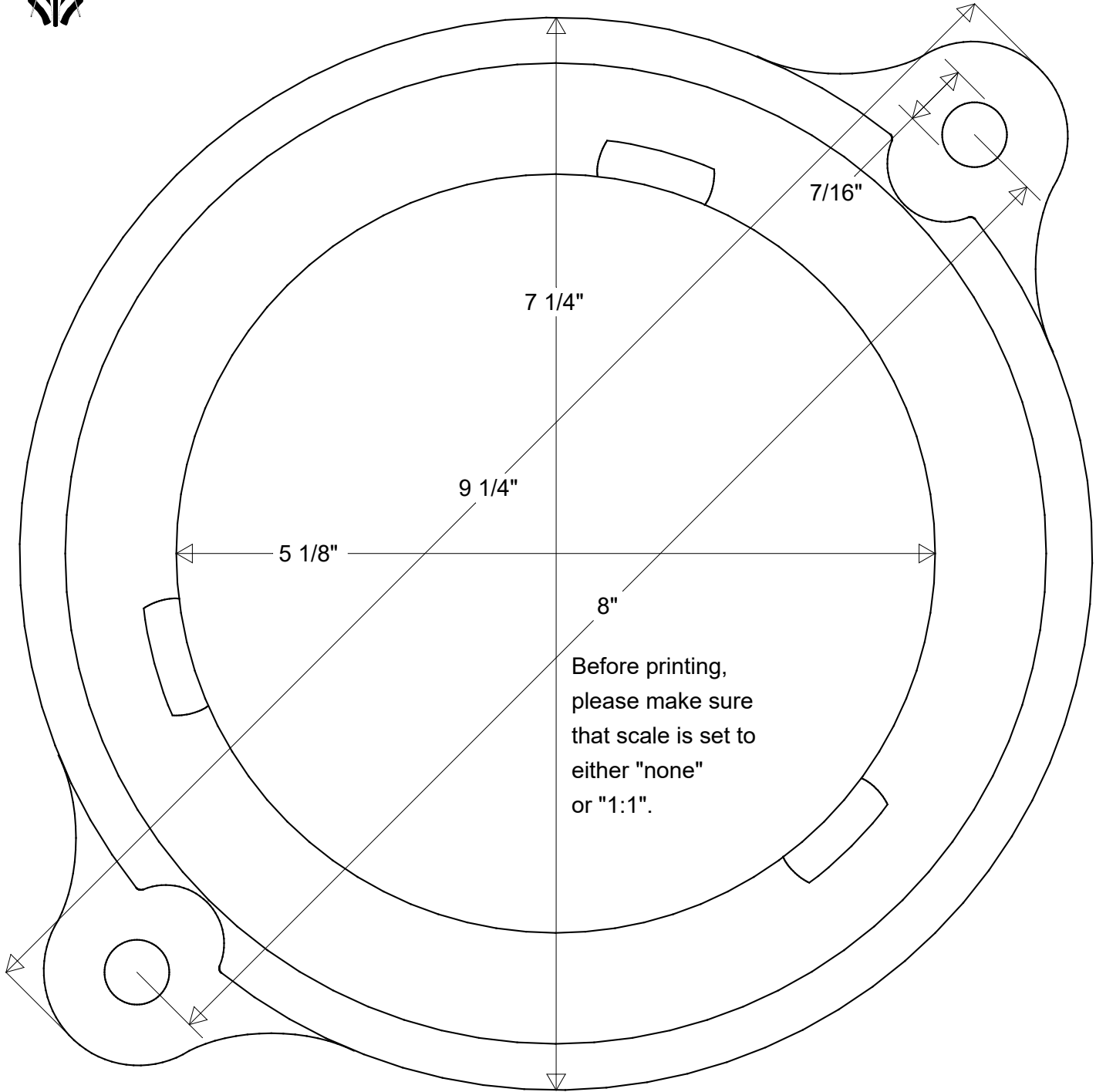


Primelite Manufacturing Corp

407 S Main St, Freeport, NY 11520

Phone: 516-868-4411 | Fax: 516-868-4609
 sales@primelite-mfg.com | www.primelite-mfg.com

PART # #5310 Shoe Base	LAMP N/A	VOLTAGE N/A	COLOR Powder Coated Paint
JOB NAME			TYPE Shoe Base Template



Lamp: N/A	Initials	Date	Bollard #5310 Shoe Base			<table border="1"> <thead> <tr> <th colspan="5">Revisions</th> </tr> <tr> <th>Zone</th> <th>Rev</th> <th>Description</th> <th>Date</th> <th>Appr</th> </tr> </thead> <tbody> <tr><td> </td><td> </td><td> </td><td> </td><td> </td></tr> <tr><td> </td><td> </td><td> </td><td> </td><td> </td></tr> <tr><td> </td><td> </td><td> </td><td> </td><td> </td></tr> <tr><td> </td><td> </td><td> </td><td> </td><td> </td></tr> </tbody> </table>					Revisions					Zone	Rev	Description	Date	Appr																				
	Revisions																																							
	Zone	Rev	Description	Date	Appr																																			
Drawn	CB	04/2022	9 1/4" W 7 1/4" Dia 8" Bolt Circle																																					
Checked			Size	Drawing No.	Rev																																			
ENG Appr.			A	0001	A																																			
Construction: Aluminum	MFR Appr.		Scale	CAD File	Sheet																																			
Unless Otherwise Specified: Dimensions in Inches	Weight:		1" = 1"		1 of 1																																			
QA																																								