

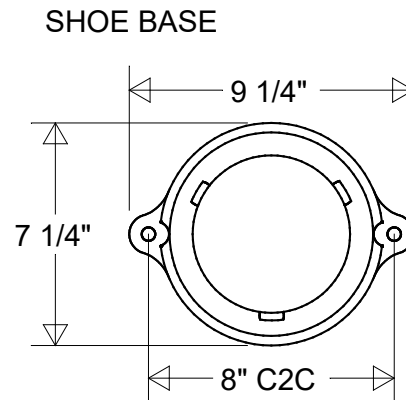
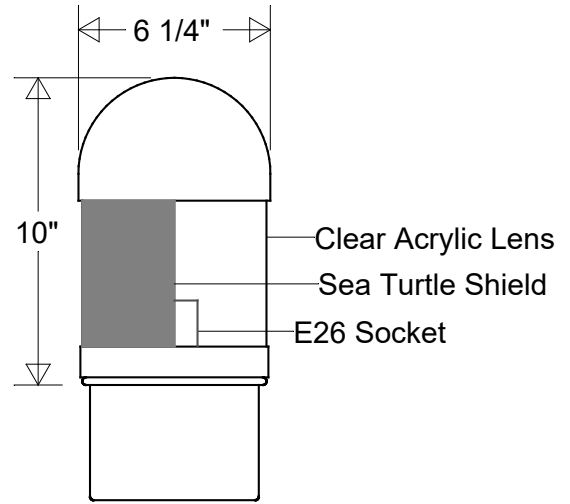
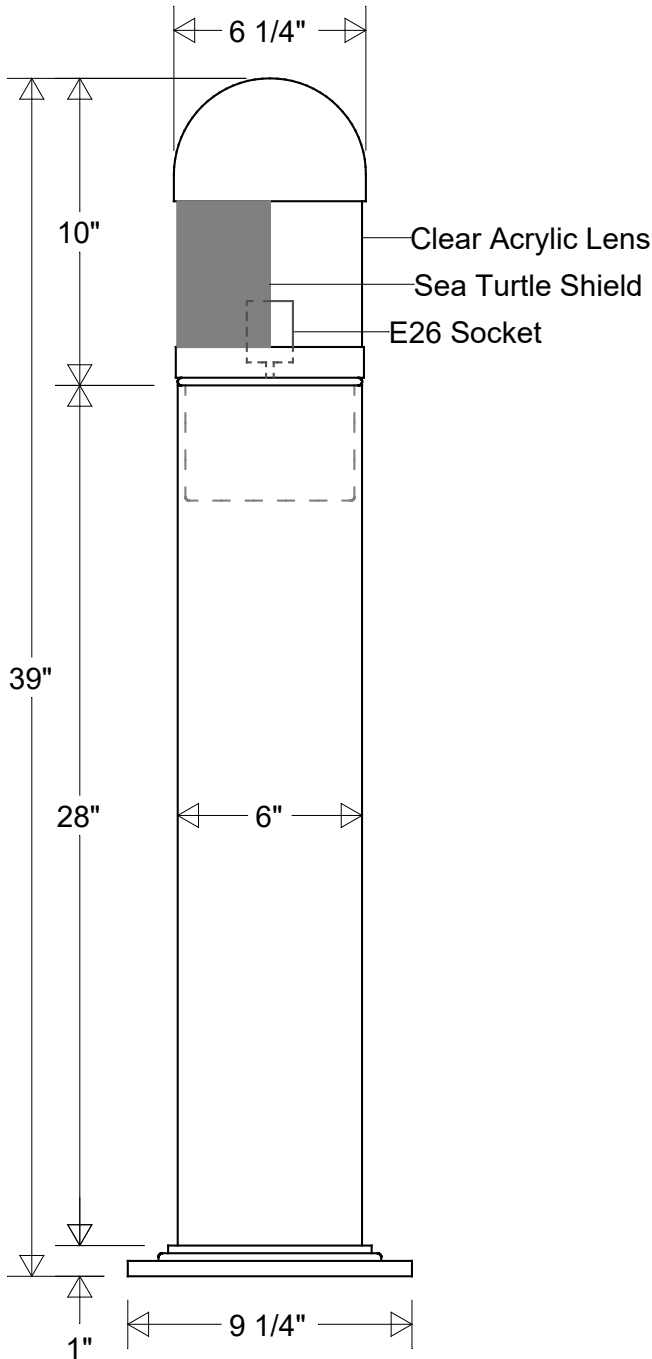


Primelite Manufacturing Corp

407 S Main St, Freeport, NY 11520

Phone: 516-868-4411 | Fax: 516-868-4609
 sales@primelite-mfg.com | www.primelite-mfg.com

PART # #5310/4 STS	LAMP E26 Socket	VOLTAGE 120 V	COLOR Powder Coated Paint
JOB NAME			TYPE Bollard



Lamp: A19 Bulb (Included) Wattage: 11W Certification: FWC	Initials	Date	<h2>Bollard #5310/4 STS</h2>							
	Drawn	CB						04/2022		
	Checked			6 1/4" Dia 39" H Sea Turtle Shield Shoe Base: 9 1/4 W 7 1/4" Dia 8" Bolt Circle		Revisions				
Construction: Aluminum Acrylic	ENG Appr.		Size	Drawing No.	Rev	Zone	Rev	Description	Date	Appr
	MFR Appr.		A	0001	A					
Unless Otherwise Specified: Dimensions in Inches	QA		Scale	CAD File	Sheet					
	Weight:									1 of 1