

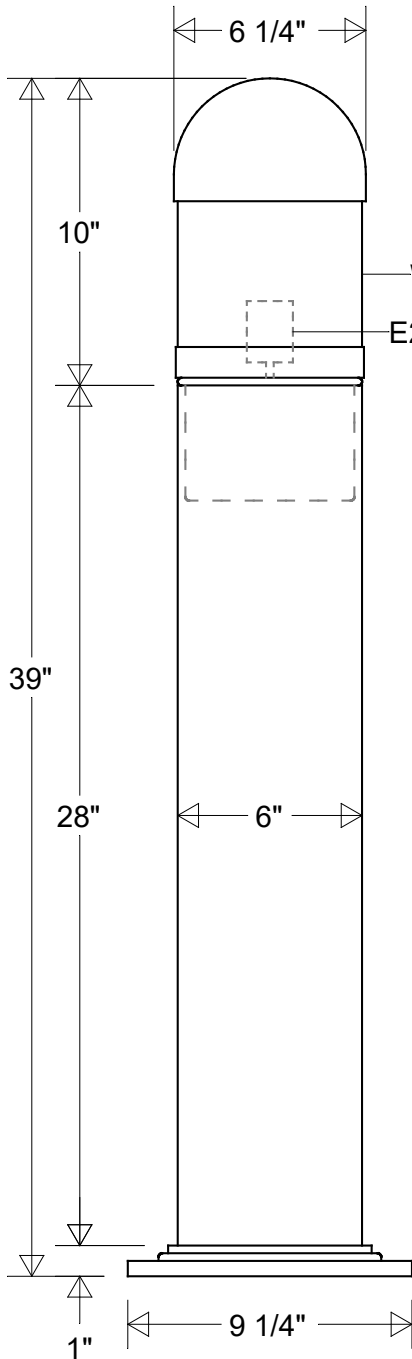


Primelite Manufacturing Corp

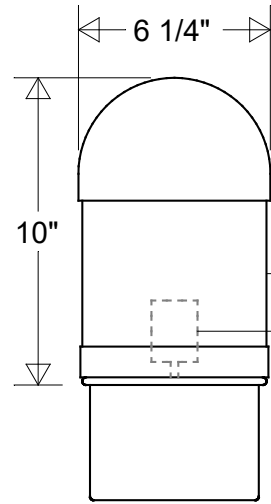
407 S Main St, Freeport, NY 11520

Phone: 516-868-4411 | Fax: 516-868-4609
 sales@primelite-mfg.com | www.primelite-mfg.com

PART # #5310/3	LAMP E26 Socket	VOLTAGE 120 V	COLOR Powder Coated Paint
JOB NAME			TYPE Bollard

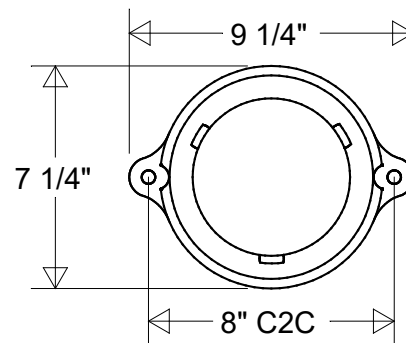


White Acrylic Lens
E26 Socket



White Acrylic Lens
E26 Socket

SHOE BASE



Lamp: E26 Socket
Max Wattage: 100 W



	Initials	Date
Drawn	CB	04/2022
Checked		
ENG Appr.		
MFR Appr.		
QA		

Bollard #5310/3

6 1/4" Dia | 39" H

Shoe Base: 9 1/4 W | 7 1/4" Dia | 8" Bolt Circle

Size	Drawing No.	Rev
A	0001	A

Revisions

Zone	Rev	Description	Date	Appr

Construction:
Aluminum | Acrylic

Unless Otherwise Specified:
Dimensions in Inches

Weight:

Scale

CAD File

Sheet

1 of 1