

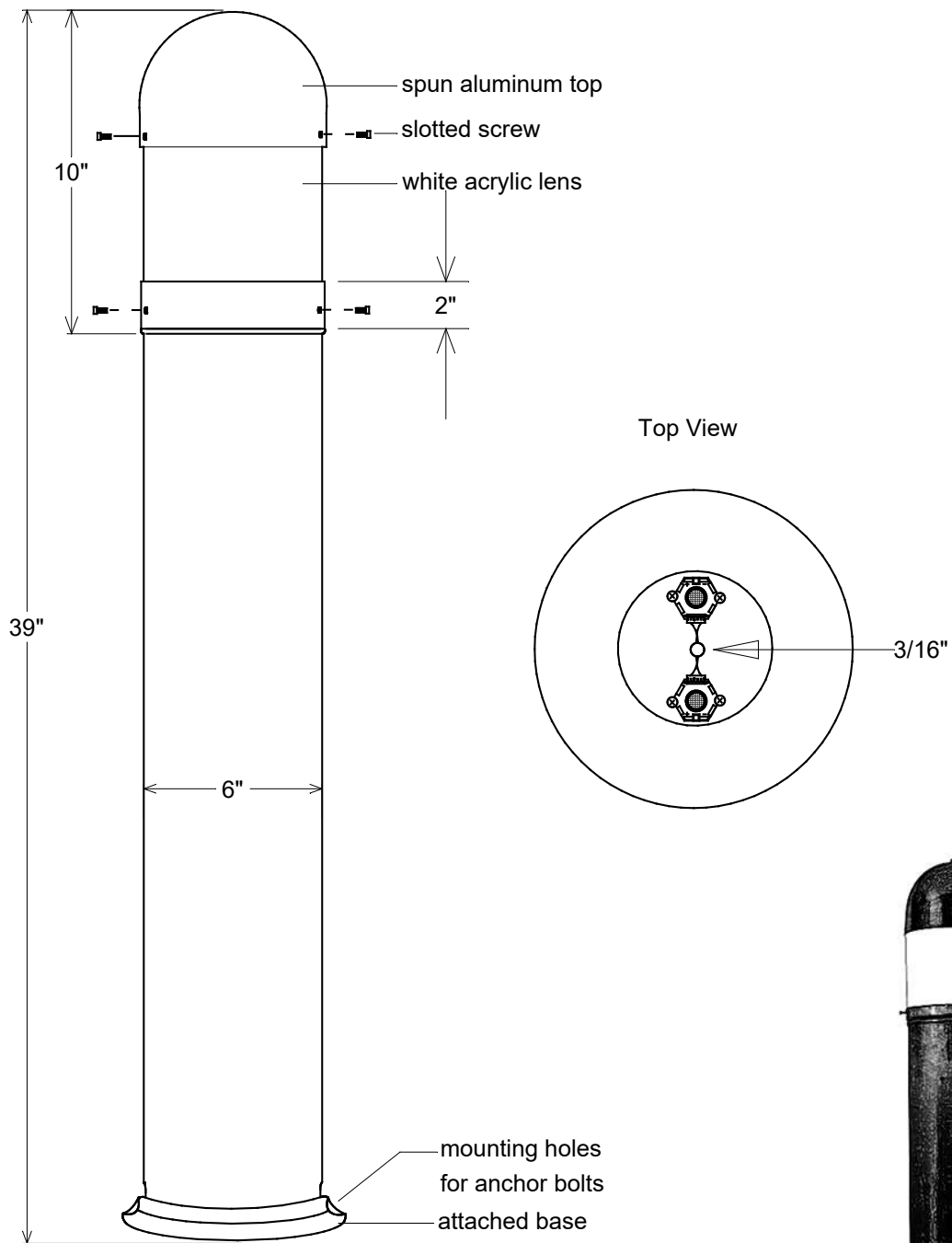


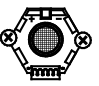
# Primelite Manufacturing Corp

407 S Main St, Freeport, NY 11520

Phone: 516-868-4411 | Fax: 516-868-4609  
 sales@primelite-mfg.com | www.primelite-mfg.com

PART # <b>#5310-3 LED20</b>	LAMP LED	VOLTAGE 120V	COLOR <b>Powder Coated Paint</b>
JOB NAME			TYPE <b>Bollard</b>



Lamp: LED  <b>LED20 (2 x LED10)</b>	Name	Date	<b>Bollard #5310-3 LED20</b>			
	Drawn	iv				05/21/18
	Checked			Lens: White Acrylic		
	ENG Appr.					
Construction: Aluminum	MFR Appr.		Size	Drawing No.	Rev	
Unless Otherwise Specified: Dimensions in Inches	QA		<b>A</b>	<b>0001</b>	<b>A</b>	
Comments		Scale	CAD File	Sheet	<b>1 of 1</b>	

Revisions				
Zone	Rev	Description	Date	Approved