

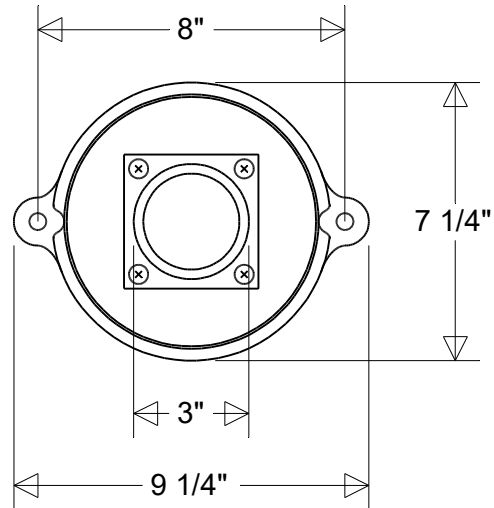
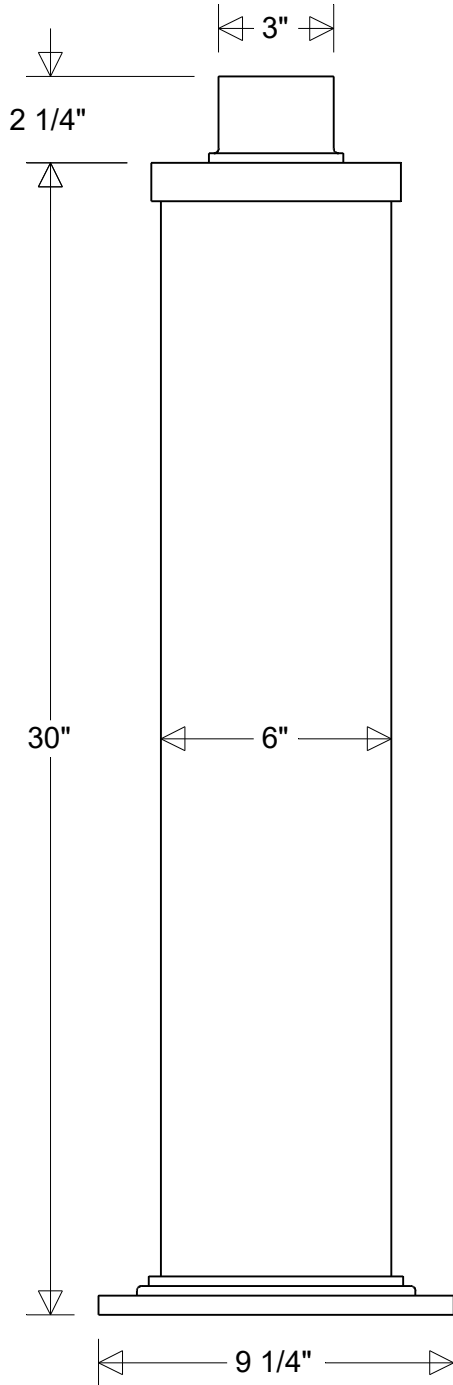


Primelite Manufacturing Corp.

407 S Main St, Freeport, NY 11520
 Phone: (516) 868-4411 | Fax: (516) 868-4609
 sales@primelite-mfg.com | www.primelite-mfg.com

PROUDLY MADE IN THE USA SINCE 1962!
"SPECIALTIES ARE OUR SPECIALTY!"

Job Info



#5300

6" Dia | 30" H | 3" Post Light Fitter
 8" C2C Mounting

Lamp: N/A

Finish:
 29 Oven Baked
 Powder Coated Paints

Drawn:
 CB
 06/2026

Scale:
 1/5

Approvals

Material:
 Aluminum

Note:
 All dimensions are nominal.
 Actual dimensions may vary.