

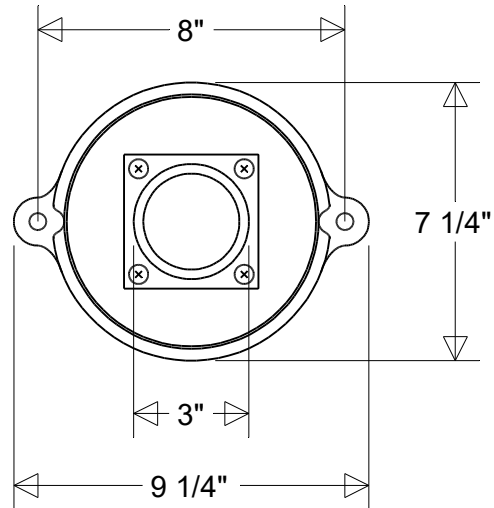
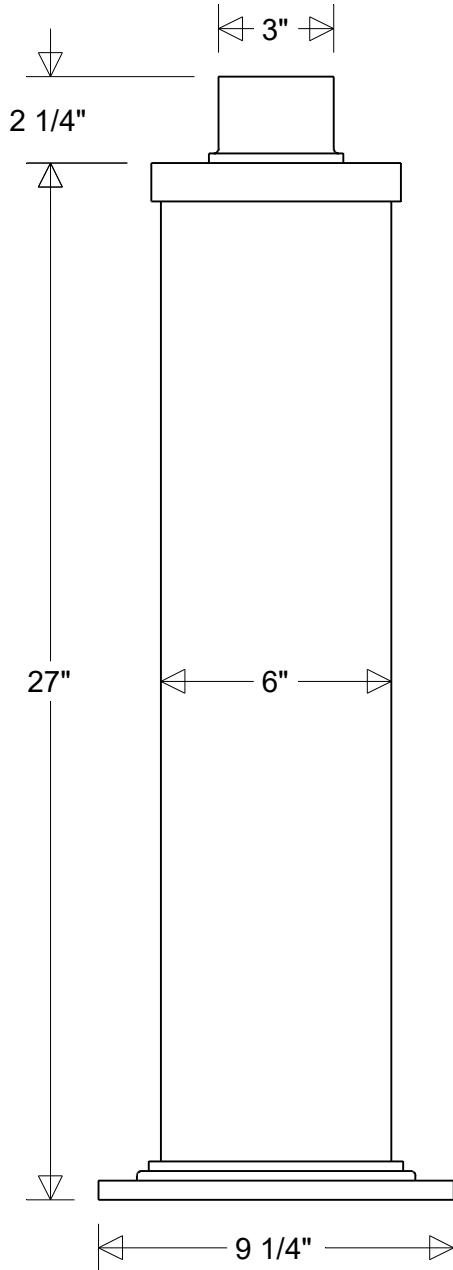


# Primelite Manufacturing Corp.

407 S Main St, Freeport, NY 11520  
Phone: (516) 868-4411 | Fax: (516) 868-4609  
sales@primelite-mfg.com | www.primelite-mfg.com

**PROUDLY MADE IN THE USA SINCE 1962!**  
**"SPECIALTIES ARE OUR SPECIALTY!"**

Job Info



## #5300-27

6" Dia | 27" H | 3" Post Light Fitter  
8" C2C Mounting

Lamp: N/A

Finish:  
29 Oven Baked  
Powder Coated Paints

Drawn:  
CB  
06/2026

Scale:  
1/5

Approvals

Material:  
Aluminum

Note:  
All dimensions are nominal.  
Actual dimensions may vary.