

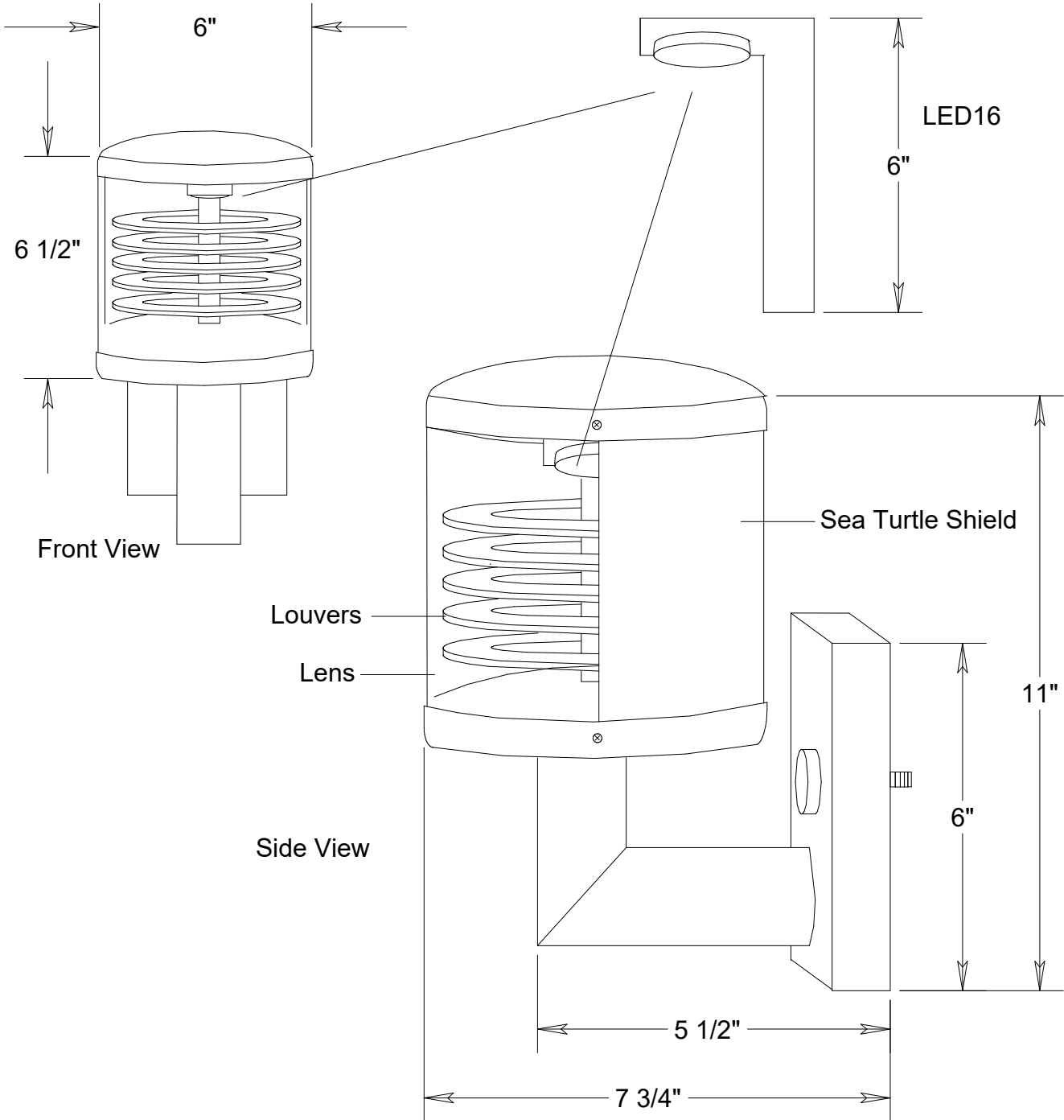


# Primelite Manufacturing Corp

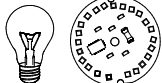
407 S Main St, Freeport, NY 11520

Phone: 516-868-4411 | Fax: 516-868-4609  
 sales@primelite-mfg.com | www.primelite-mfg.com

PART # #530/825	LAMP Incandescent   LED	VOLTAGE 120 V	COLOR Powder Coated Paint
JOB NAME			TYPE Wall Bracket



Lamp: Incandescent | LED



1/200A | LED 16

Name

CB

Date

5/19

## Wall Bracket #530/4-825 LED 16

6" Dia | 11" Ht | 7 3/4" Ext

Construction: Aluminum

Unless Otherwise Specified:  
 Dimensions in Inches

Weight

Scale

CAD File

Sheet

1 of 1

Revisions				
Zone	Rev	Description	Date	Approved