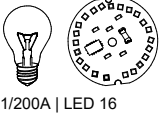
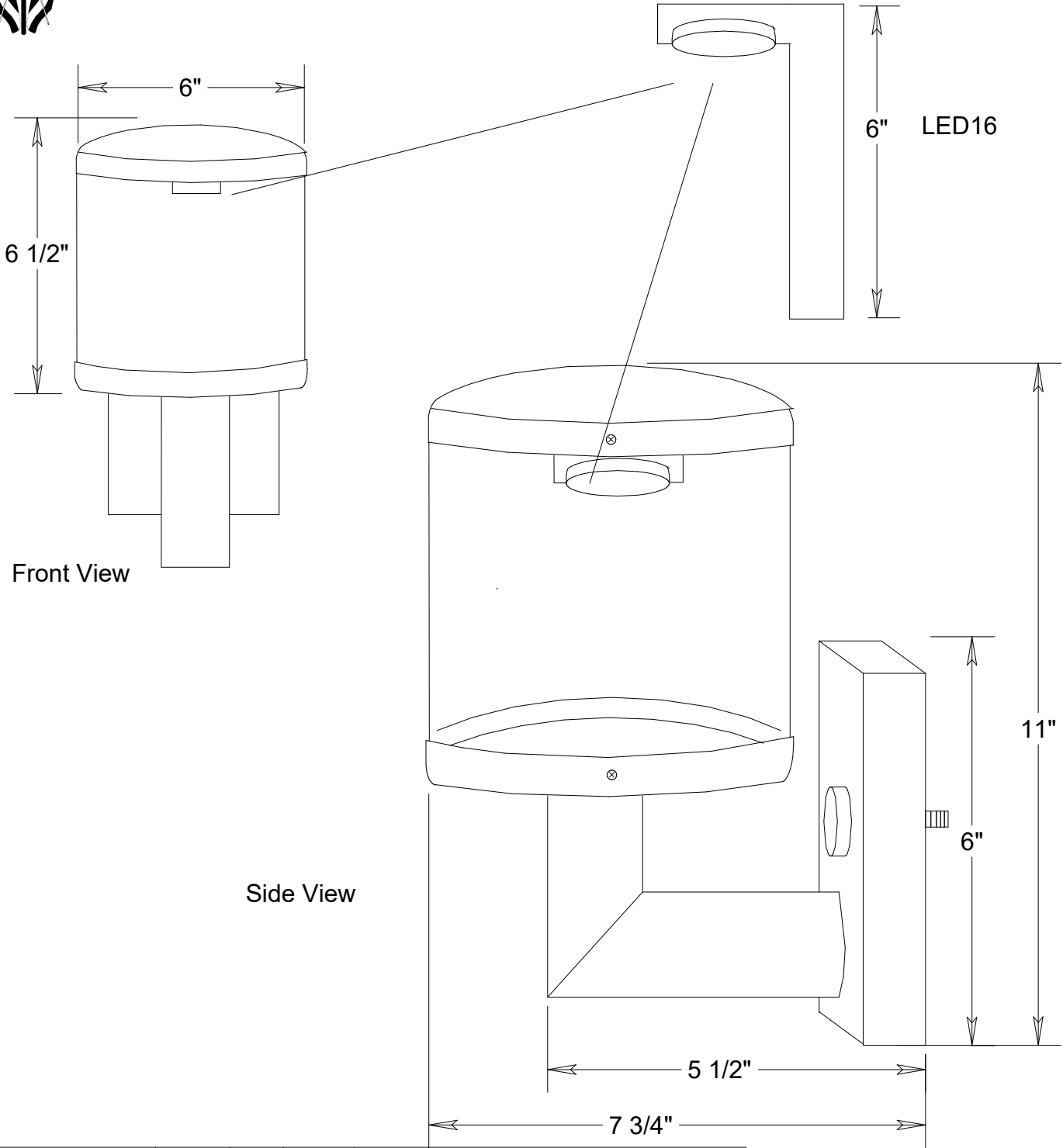




# Primelite Manufacturing Corp

407 S Main St, Freeport, NY 11520  
 Phone: 516-868-4411 | Fax: 516-868-4609  
 sales@primelite-mfg.com | www.primelite-mfg.com

<b>PART #</b> #530/3-825	<b>LAMP</b> Incandescent   LED	<b>VOLTAGE</b> 120 V	<b>COLOR</b> Powder Coated Paint
<b>JOB NAME</b>			<b>TYPE</b> Wall Bracket



1/200A | LED 16

Construction: Aluminum

Unless Otherwise Specified:  
Dimensions in Inches

Name	Date	Wall Bracket #530/3-825 LED 16		
Drawn	CB	5/19		
Checked				
ENG Appr.				
MFR Appr.			Size	Drawing No.
QA			<b>A</b>	<b>0001</b>
Weight			Rev	<b>A</b>
		Scale	CAD File	Sheet
				<b>1 of 1</b>

## Wall Bracket #530/3-825 LED 16

6" Dia | 7 3/4" Ext | 11" Ht | Wall Bracket

Revisions				
Zone	Rev	Description	Date	Approved