

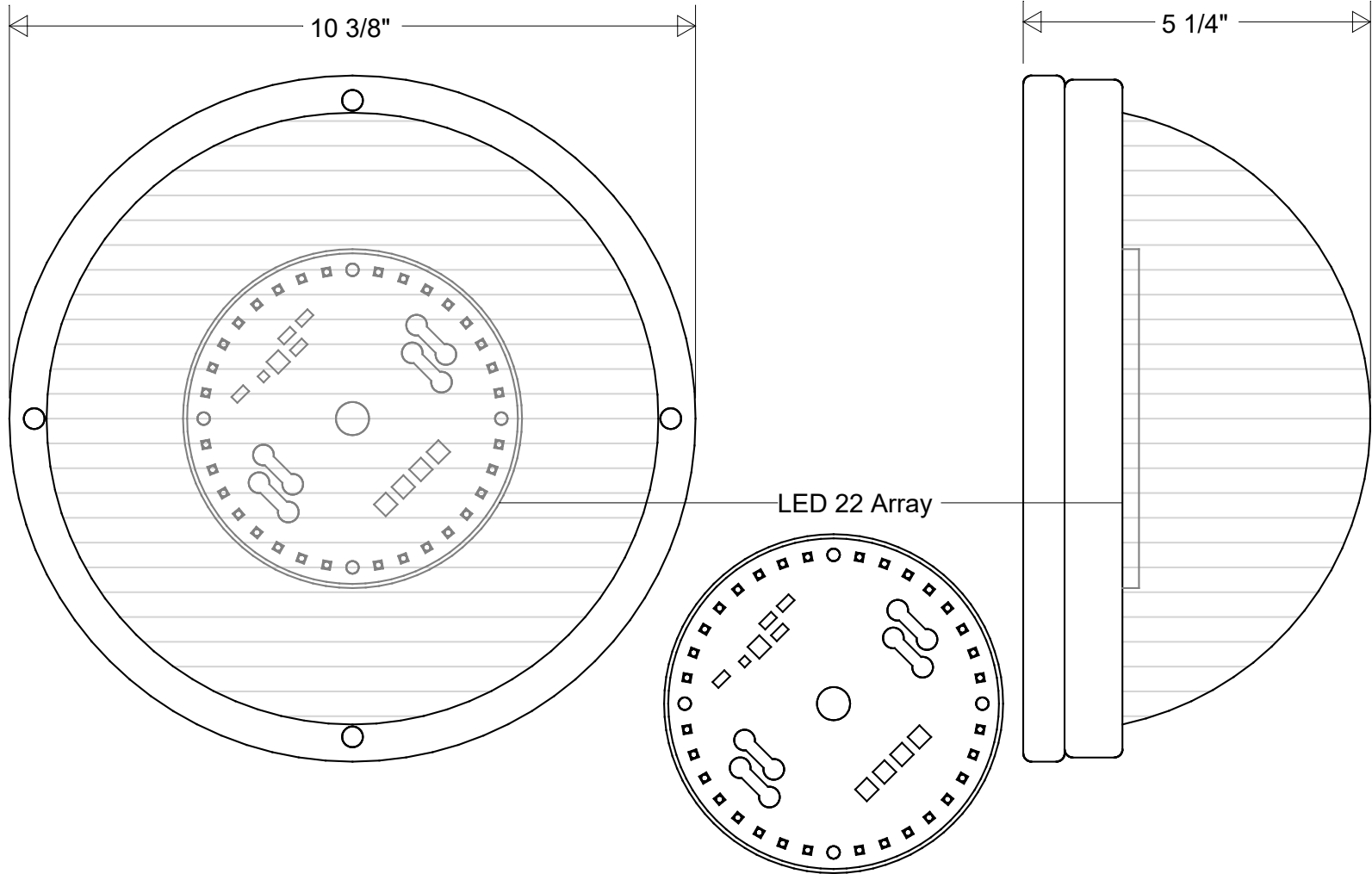


# Primelite Manufacturing Corp

407 S Main St, Freeport, NY 11520

Phone: 516-868-4411 | Fax: 516-868-4609  
 sales@primelite-mfg.com | www.primelite-mfg.com

<b>PART #</b> #5051 LED 22	<b>LAMP</b> Built-In LED	<b>VOLTAGE</b> 120 V	<b>COLOR</b> Polycarbonate: Black   White
<b>JOB NAME</b>			<b>TYPE</b> Euro Wall Sconce



**Lamp: LED 22 Array**  
 100 W Inc Equivalent  
 3K = 1800 Lumens  
 4K = 1800 Lumens



	Initials	Date
Drawn	CB	01/2022
Checked		
ENG Appr.		
MFR Appr.		
QA		

## Wall Sconce #5051 LED 22

10 3/8" Dia | 5 1/4" Ext | Frosted Polycarbonate Lens  
 Polycarbonate Shell: Black | White

Size	Drawing No.	Rev
<b>A</b>	<b>0001</b>	<b>A</b>

Revisions				
Zone	Rev	Description	Date	Appr

**Construction:**  
 Aluminum | Polycarbonate

**Weight:**

Scale	CAD File	Sheet
		<b>1 of 1</b>