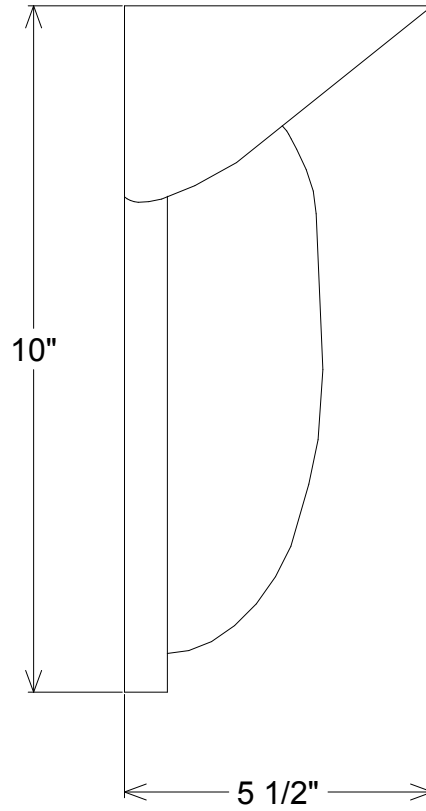
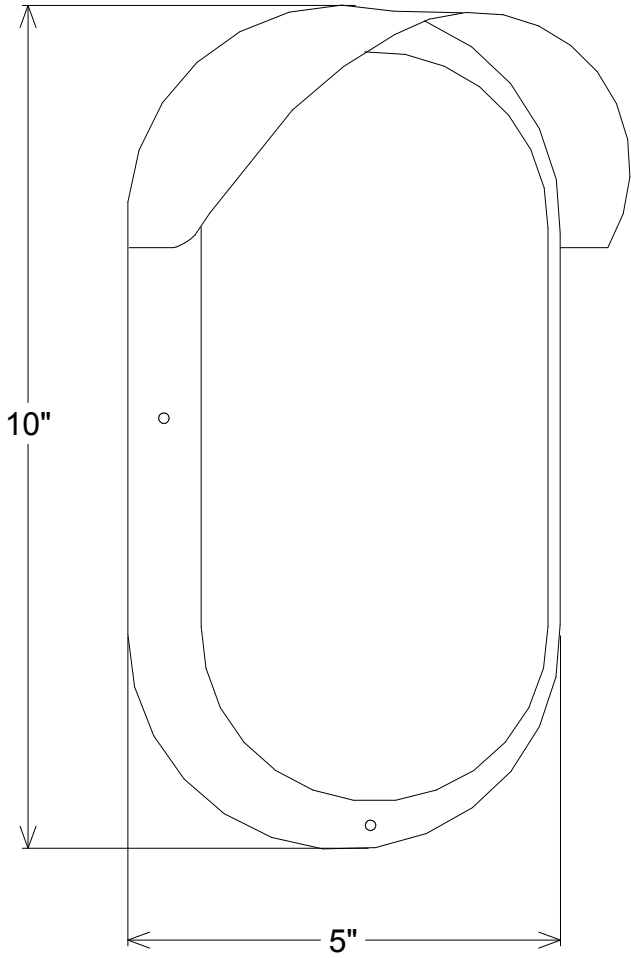


Revisions				
Zone	Rev	Description	Date	Approved



side view

Unless Otherwise Specified: Dimensions in Inches Tolerances: Fractional ± Angular: Mach ± Bend ± Two Place Decimal ± Three Place Decimal ±	Name	Date	Primelite Mfg. Corp. 5005		
	Drawn	T.A.R.			08/23/10
	Checked				
	ENG Appr.				
	MFR Appr.				
QA			Size	Drawing No.	Rev
Construction: white or black polycarbonate, alum hood	Comments		A	0001	A
Lamp: 1-60	CAD Generated Drawing Do Not Manually Update		Scale 1:2	CAD File	Sheet 1 of 1