

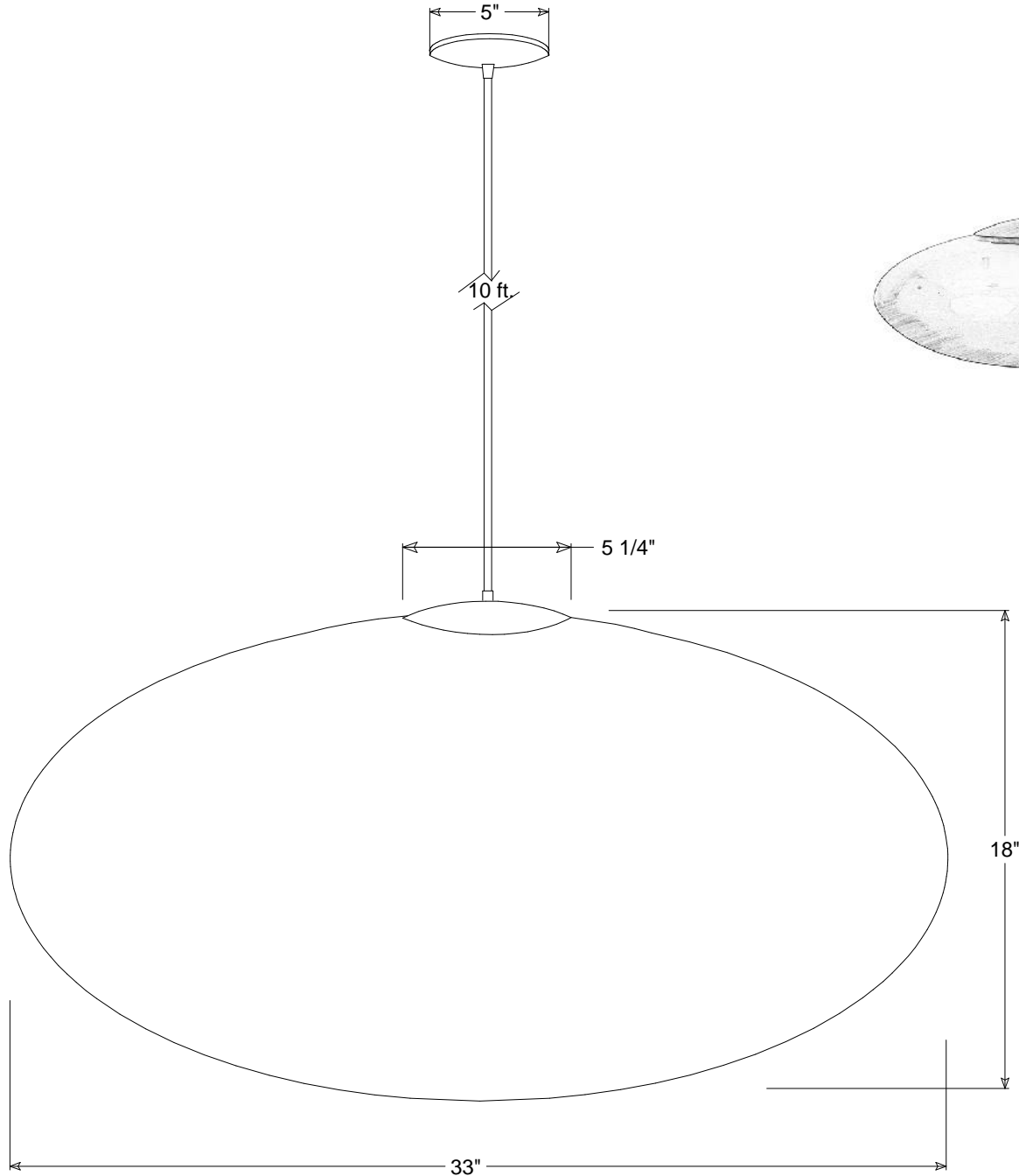
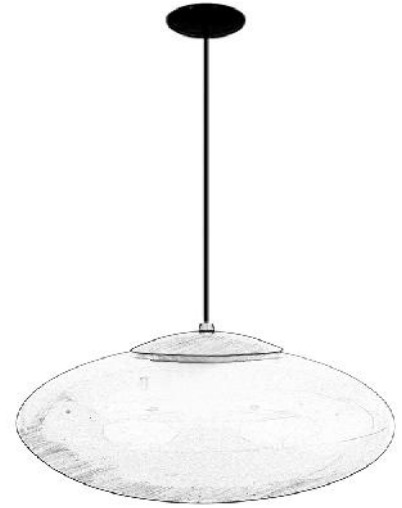


# Primelite Manufacturing Corp

407 S Main St, Freeport, NY 11520

Phone: 516-868-4411 | Fax: 516-868-4609  
 sales@primelite-mfg.com | www.primelite-mfg.com

<b>PART #</b> <b>#489</b>	<b>LAMP</b> Incandescent   LED	<b>VOLTAGE</b> 120V	<b>COLOR</b> Powder Coated Paint
<b>JOB NAME</b>			<b>TYPE</b> Ellipsoid Globe Pendant



Lamp: Incandescent | LED



1/200A | LED12 3K | LED20  
(2 x LED10)

Construction: Aluminum  
Polyethelene

Unless Otherwise Specified:  
Dimensions in Inches

Name Date

Drawn	iv	10/02/18
Checked		
ENG Appr.		
MFR Appr.		
QA		

## Globe Pendant #489

33" x 18" Ellipsoid Globe | 10' Vinyl Cord  
White Polyethelene

Size	Drawing No.	Rev
<b>A</b>	<b>0001</b>	<b>A</b>

Scale	CAD File	Sheet
		<b>1 of 1</b>

Revisions				
Zone	Rev	Description	Date	Approved