

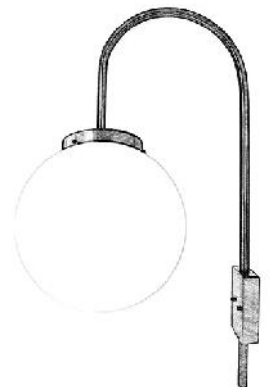
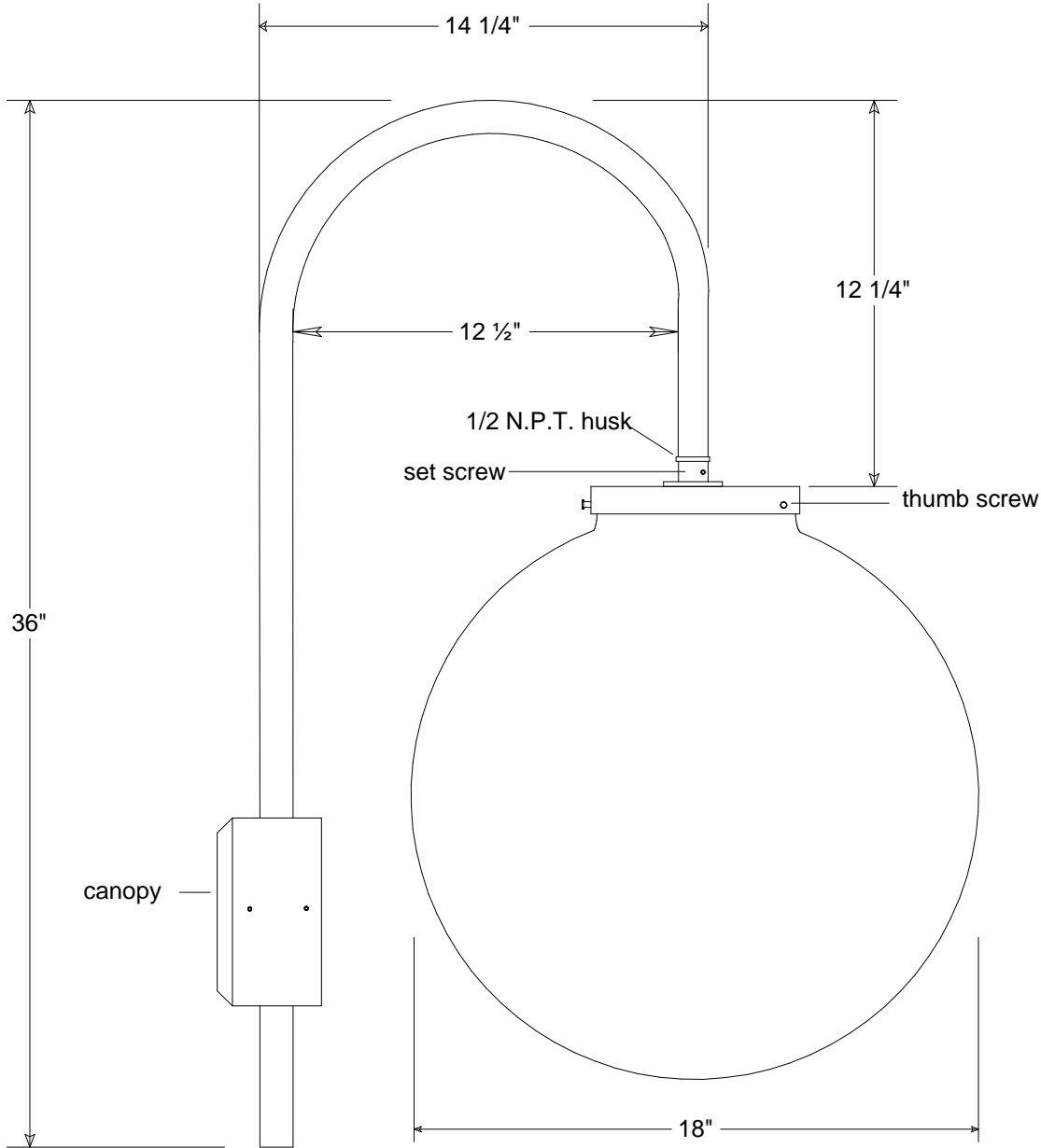


# Primelite Manufacturing Corp

407 S Main St, Freeport, NY 11520

Phone: 516-868-4411 | Fax: 516-868-4609  
 sales@primelite-mfg.com | www.primelite-mfg.com

PART #	LAMP	VOLTAGE	COLOR
JOB NAME			TYPE



<b>Unless Otherwise Specified:</b> Dimensions in Inches Tolerances: Fractional ± Angular: Mach ± Bend ± Two Place Decimal ± Three Place Decimal ±	Name		Date		<b>#478N-862</b> 18" Polyethylene Globe   14 1/4" Arm Wall Mount					
	Drawn	lv	01/19/2017							
	Checked				Size	Drawing No.	Rev	Revisions		
	ENG Appr.							Zone	Rev	Description
<b>Construction:</b> Aluminum   Polyethylene	MFR Appr.				<b>A</b>	<b>0001</b>	<b>A</b>			
	QA									
	Comments		Scale	CAD File	Sheet	<b>1 of 1</b>				