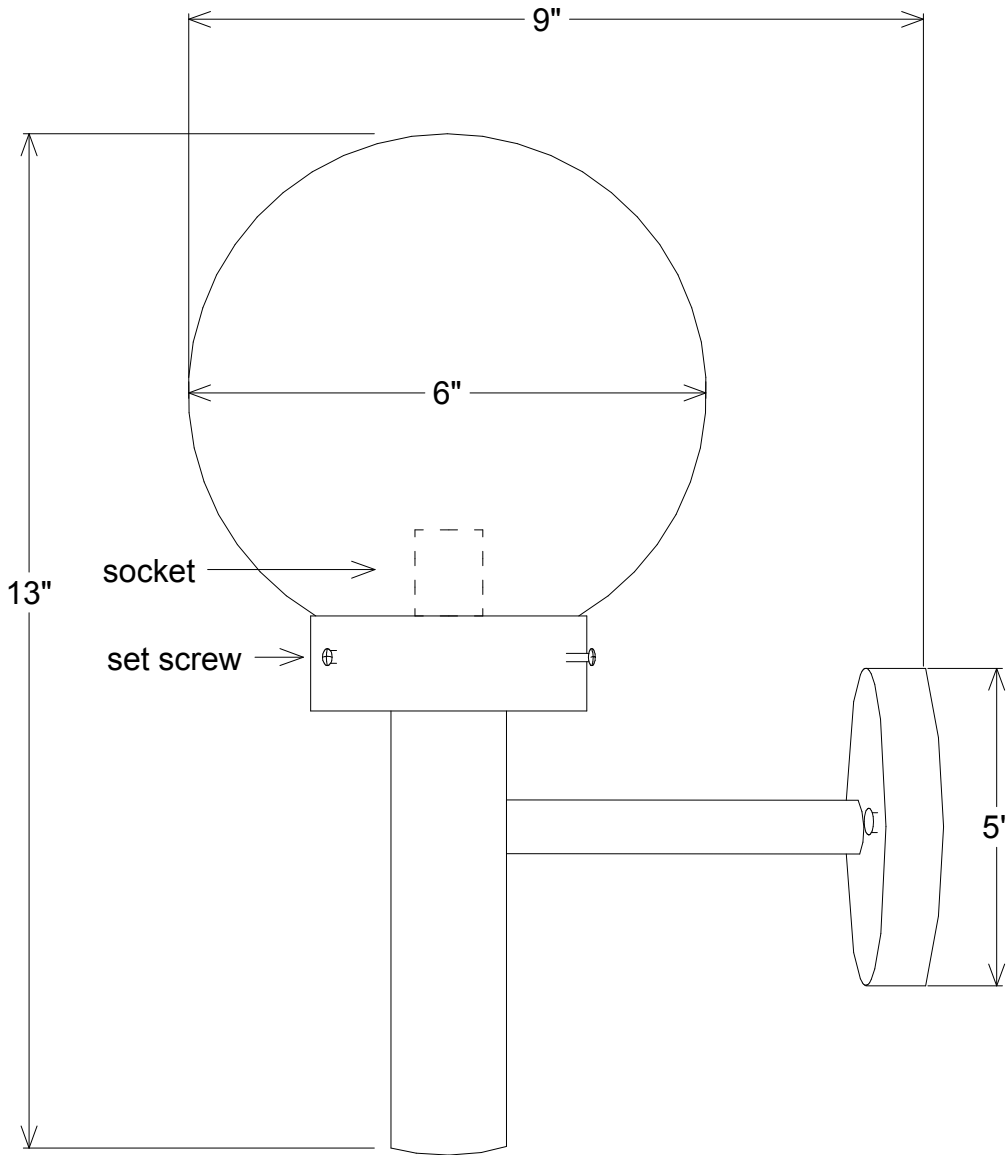


Revisions				
Zone	Rev	Description	Date	Approved



Unless Otherwise Specified: Dimensions in Inches Tolerances: Fractional ± Angular: Mach ± Bend ± Two Place Decimal ± Three Place Decimal ±		Name	Date	Primelite Mfg. Corp. 4661 Polyethylene		
	Drawn	T.A.R.	09/09/10			
	Checked					
	ENG Appr.					
	MFR Appr.					
	QA					
	Comments					
Construction: All Aluminum	CAD Generated Drawing Do Not Manually Update			Size	Drawing No.	Rev
				A	0001	A
Lamp: 1-60A				Scale	CAD File	Sheet
				1:2		1 of 1