

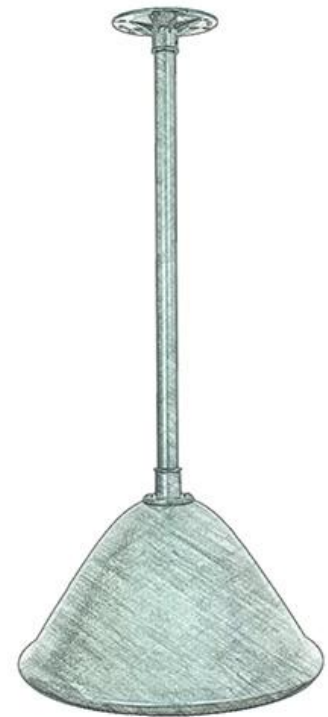
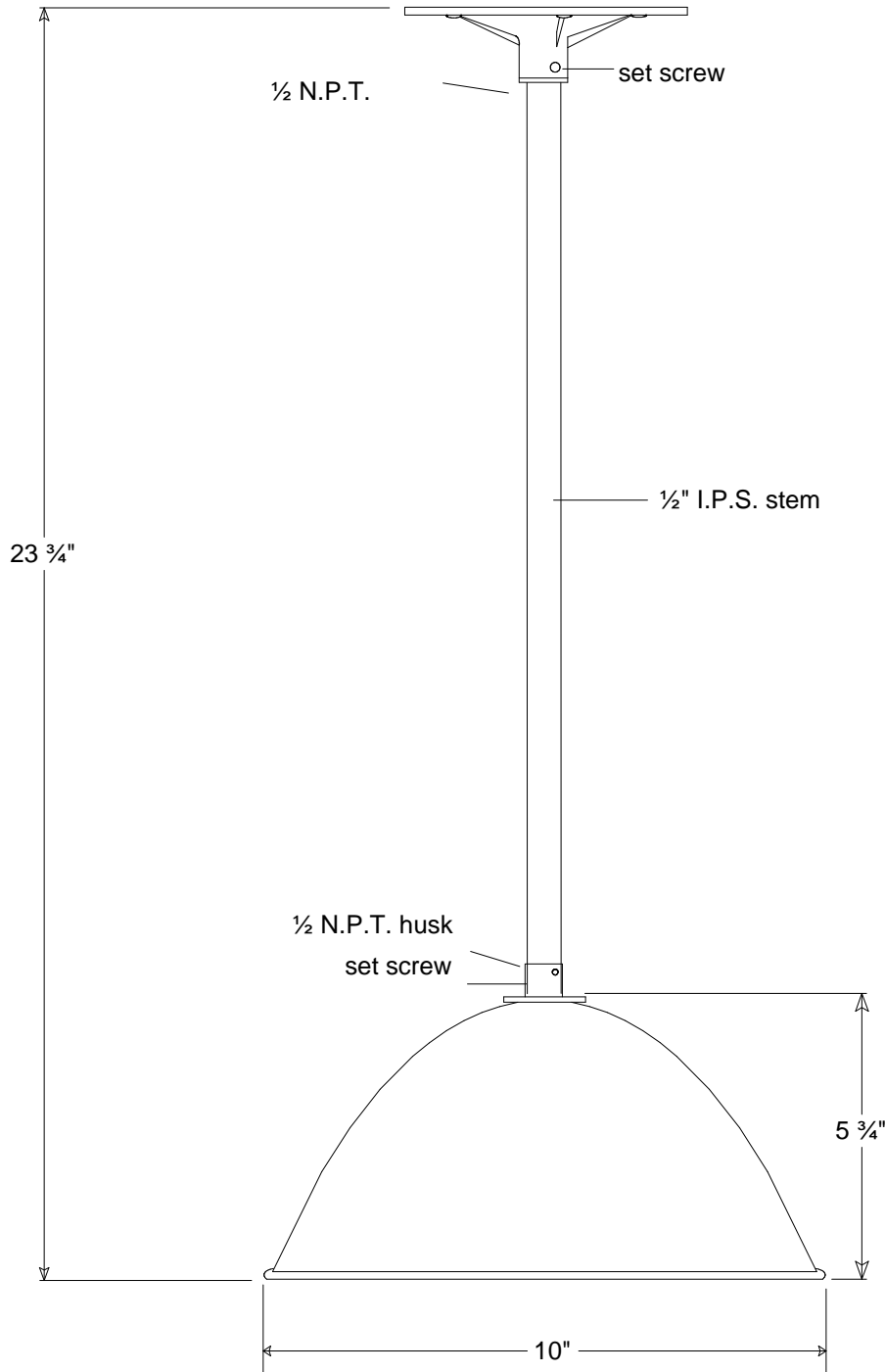


Primelite Manufacturing Corp

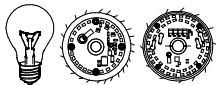
407 S Main St, Freeport, NY 11520

Phone: 516-868-4411 | Fax: 516-868-4609
 sales@primelite-mfg.com | www.primelite-mfg.com

PART # #46/10-18	LAMP Incandescent LED	VOLTAGE 120 V	COLOR Powder Coated Paint
JOB NAME			TYPE Pendant



Lamp: Incandescent | LED



1/100A | LED12 | LED22

Construction: Aluminum

Unless Otherwise Specified:
Dimensions in Inches

Name	iv	Date	05/18/18	Pendant #46/10-18		
Drawn						
Checked				Size	Drawing No.	Rev
ENG Appr.				A	0001	A
MFR Appr.				Scale	CAD File	Sheet
QA						1 of 1
Comments						

Revisions				
Zone	Rev	Description	Date	Approved