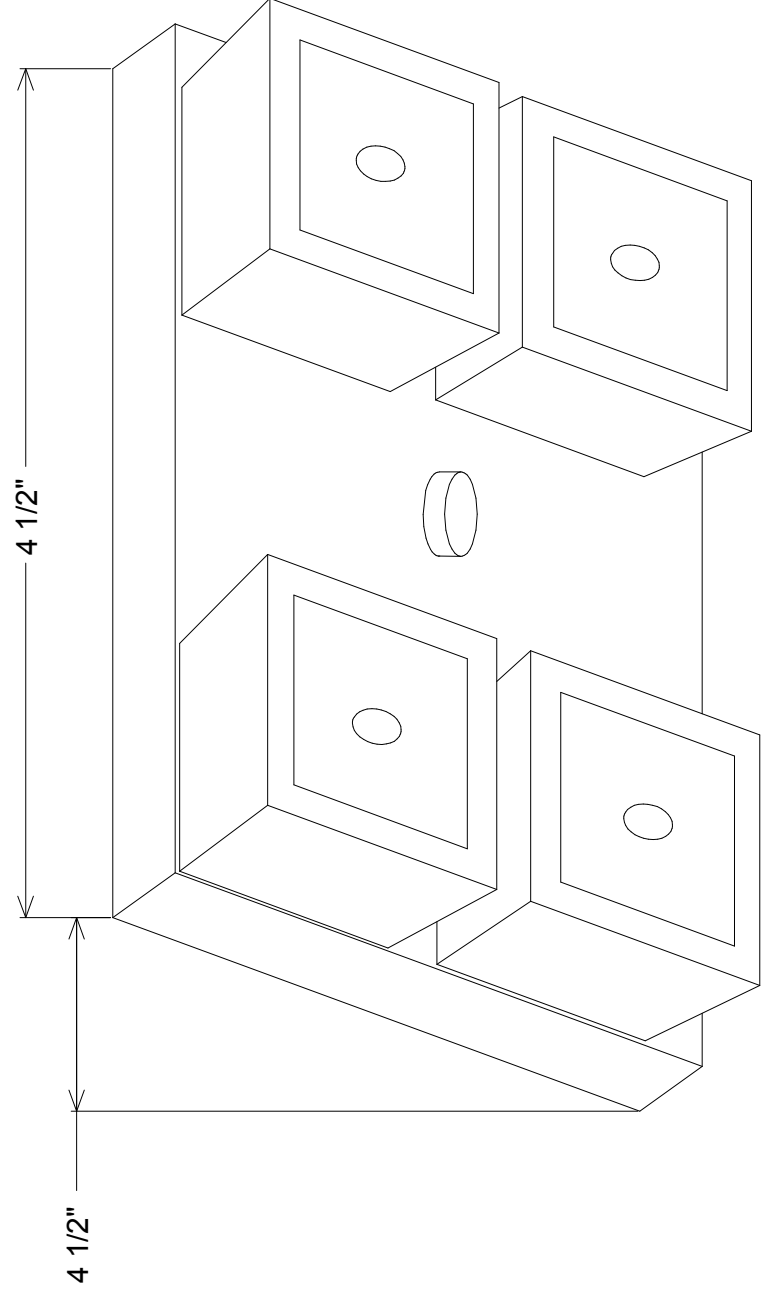


Revisions		Date		Approved	
Zone	Rev	Description	Date	Approved	



Unless Otherwise Specified:		Drawn	Name	Date
Dimensions in Inches		T.A.R.		09/07/10
Tolerances: Fractional ±		Checked		
Angular: Mach ± Bend ±		ENG Appr.		
Two Place Decimal ±		MFR Appr.		
Three Place Decimal ±		QA		
Comments				
CAD Generated Drawing Do Not Manually Update				
Lamp: 4-G16-60 Candelabra base				

Primeilight Mfg. Corp.	
45/4	
4 Light Ceiling Ice Cube G16	
Size	Rev
A	0001
Scale	1:1
CAD File	Sheet
	1 of 1