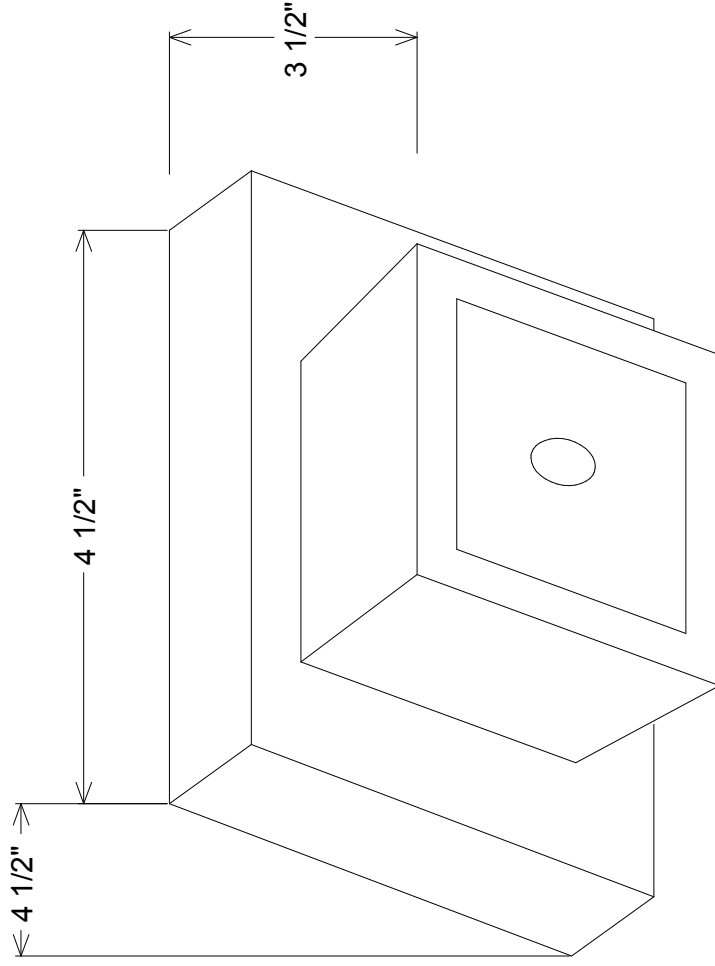


Revisions		Date	Approved
Zone	Rev	Description	



Unless Otherwise Specified:		Name	Date
Dimensions in Inches		T.A.R.	11/8/10
Tolerances: Fractional	±		
Angular: Mach	± Bend ±		
Two Place Decimal	±		
Three Place Decimal	±		
		MFR Appr.	
		QA	
Comments			
CAD Generated Drawing			
Do Not Manually Update			
Lamp: 1-G16-60W Candelabra base			

**Primelight Mfg. Corp.**

**45/1**

**1 Light Ceiling Ice Cube G16**

Size	Drawing No.	Rev
A	0001	A

Scale	CAD File	Sheet
1:1		1 of 1