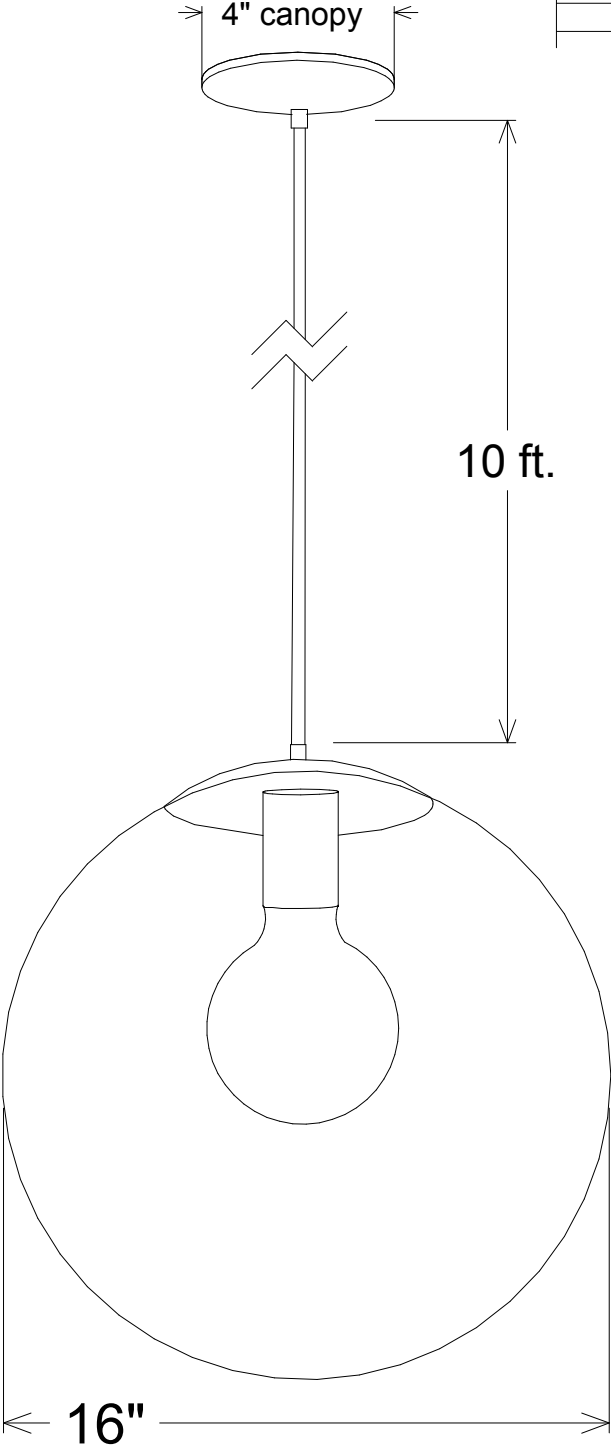


Revisions				
Zone	Rev	Description	Date	Approved



UL No.: L112599J9

<b>Unless Otherwise Specified:</b> Dimensions in Inches Tolerances: Fractional ± Angular: Mach ± Bend ± Two Place Decimal ± Three Place Decimal ±	<b>Name</b>		<b>Date</b>		<b>Primelite Mfg. Corp.</b>		
	Drawn	T.A.R.	11/19/09				
	Checked				<b>16" Neckless Globe Cord Smoke</b>		
	ENG Appr.						
	MFR Appr.				Scale <b>1:7</b> CAD File      Sheet <b>1 of 1</b>		
QA				Comments CAD Generated Drawing Do Not Manually Update			
<b>Construction: Aluminum, glass</b>							
<b>Lamp: 1-300A</b>							