

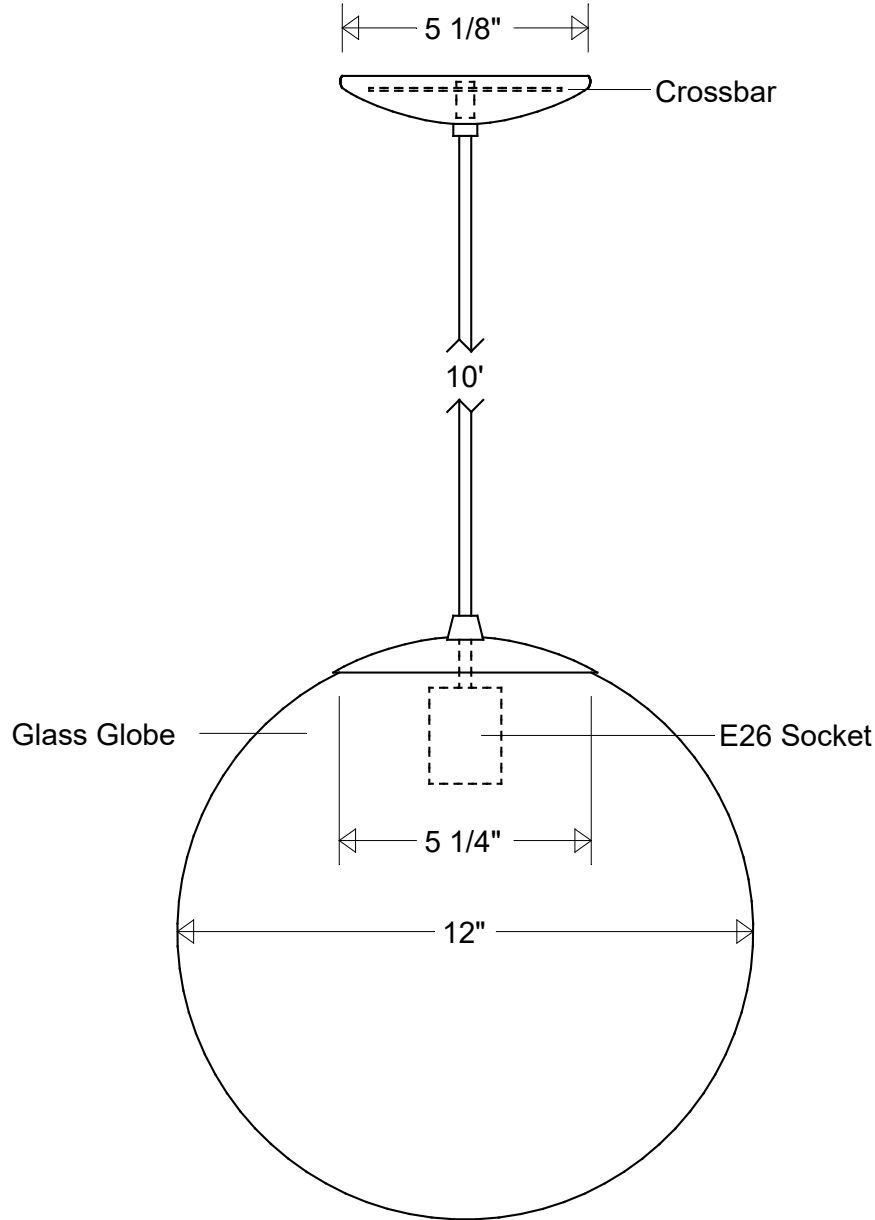


Primelite Manufacturing Corp

407 S Main St, Freeport, NY 11520

Phone: 516-868-4411 | Fax: 516-868-4609
 sales@primelite-mfg.com | www.primelite-mfg.com

| | | | |
|----------------|--------------------|------------------|------------------------------|
| PART # #442 | LAMP E26 Socket | VOLTAGE 120 V | COLOR Powder Coated Paint |
| JOB NAME | | | TYPE Pendant |



| | | | | | | |
|--|-------------|-------------|---------------------|--|------------------------|---------|
| Lamp: E26 Socket Max Wattage: 1/100 W  | Name | Date | Pendant #442 | | | |
| | Drawn | CB | | | | 08/2021 |
| | Checked | | | 12" Dia 5 1/8" Canopy 10' Vinyl Cord Glass Globe: Smoke White Clear | | |
| | ENG Appr. | | | | | |
| Construction: Aluminum Glass Vinyl | MFR Appr. | | Size | Drawing No. | Rev | |
| Unless Otherwise Specified: Dimensions in Inches | QA | | A | 0001 | A | |
| | Weight | | Scale | CAD File | Sheet 1 of 1 | |

| Revisions | | | | |
|-----------|-----|-------------|------|----------|
| Zone | Rev | Description | Date | Approved |
| | | | | |
| | | | | |