

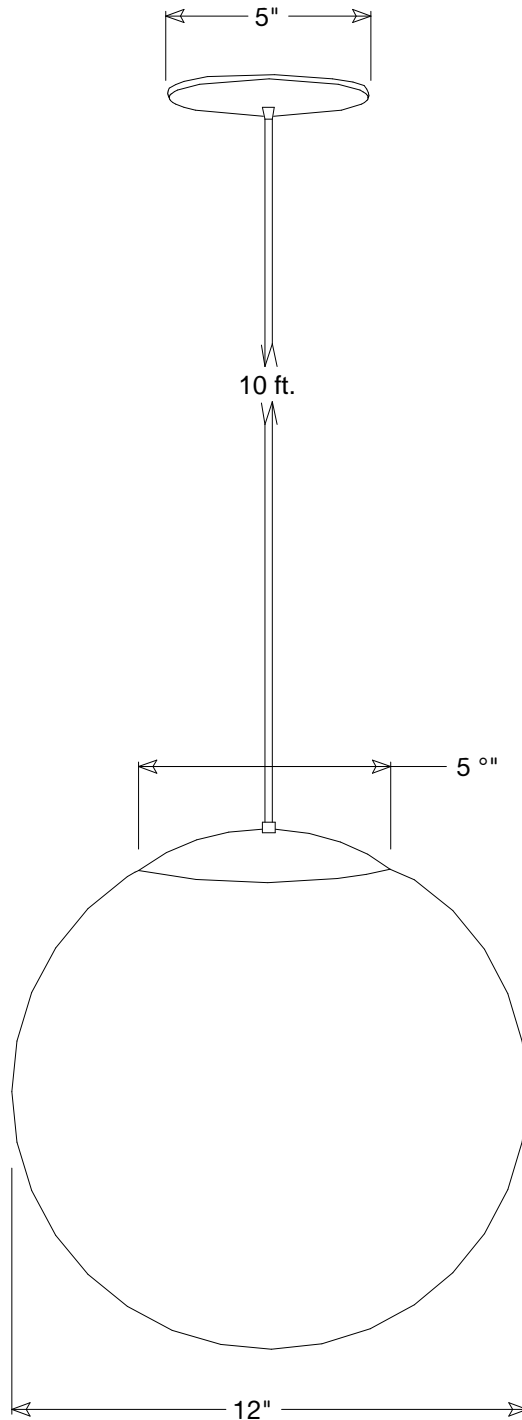


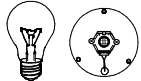
Primelite Manufacturing Corp

407 S Main St, Freeport, NY 11520

Phone: 516-868-4411 | Fax: 516-868-4609
 sales@primelite-mfg.com | www.primelite-mfg.com

PART # #442-3	LAMP LED	VOLTAGE 120V	COLOR Powder Coated Paint
JOB NAME			TYPE Pendant



Lamp: LED

 1/200A | LED 20 [2 x LED 10]

Construction: Aluminum
 Unless Otherwise Specified:
 Dimensions in Inches

Name	Date	Globe Pendant #442-3 LED20		
Drawn	MM	06/2018	12" Dia Globe 10 FT Vinyl Chord	
Checked			Size	Drawing No.
ENG Appr.			A	0001
MFR Appr.			Rev	A
QA			Scale	CAD File
Weight			Sheet	1 of 1

Revisions				
Zone	Rev	Description	Date	Approved