

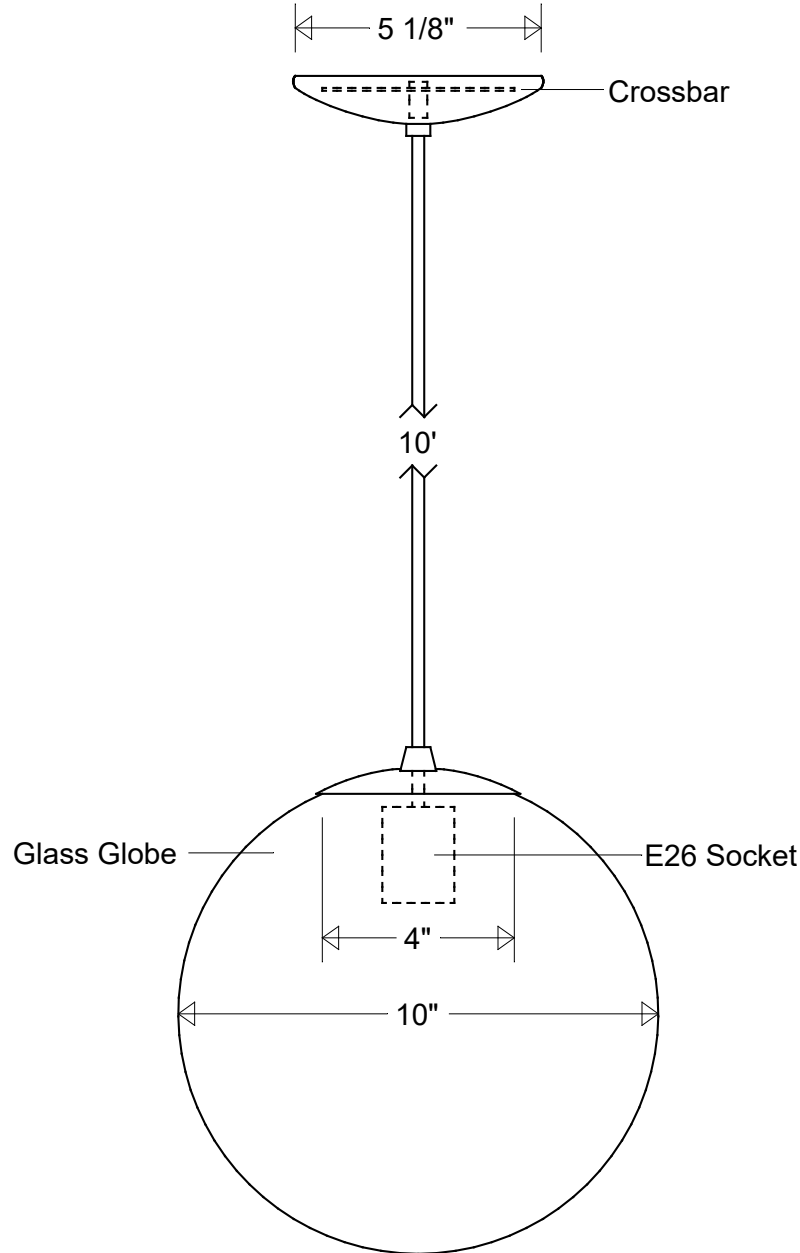



# Primelite Manufacturing Corp

407 S Main St, Freeport, NY 11520

Phone: 516-868-4411 | Fax: 516-868-4609  
 sales@primelite-mfg.com | www.primelite-mfg.com

|                |                    |                  |                              |
|----------------|--------------------|------------------|------------------------------|
| PART #<br>#440 | LAMP<br>E26 Socket | VOLTAGE<br>120 V | COLOR<br>Powder Coated Paint |
| JOB NAME       |                    |                  | TYPE<br>Pendant              |



|  |  |                  |  |   |                         |                                   |                               |                  |  |                    |             |
|--|--|------------------|--|---|-------------------------|-----------------------------------|-------------------------------|------------------|--|--------------------|-------------|
| <b>Lamp: E26 Socket</b><br>Max Wattage: 1/100 W<br> | <b>Name</b> <b>Date</b>                                    |                  |  | <h2 style="text-align: center;">Pendant #440</h2> |                         |                                   |                               |                  |  |                    |             |
|  | <b>Drawn</b> CB    08/2021                                 | <b>Checked</b>   |  |   |                         |                                   |                               |                  | 10" Dia   5 1/8" Canopy   10' Vinyl Cord<br>Glass Globe: Smoke   White   Clear |                    |             |
|  | <b>ENG Appr.</b>   | <b>MFR Appr.</b> |  |   | <b>Size</b><br><b>A</b> | <b>Drawing No.</b><br><b>0001</b> | <b>Rev</b><br><b>A</b>        | <b>Revisions</b> |  |                    |             |
|  | <b>QA</b>  | <b>Weight</b>    |  |   | <b>Scale</b>            | <b>CAD File</b>                   | <b>Sheet</b><br><b>1 of 1</b> | <b>Zone</b>      | <b>Rev</b>   | <b>Description</b> | <b>Date</b> |
| <b>Construction:</b><br>Aluminum   Glass   Vinyl   | <b>Unless Otherwise Specified:</b><br>Dimensions in Inches |                  |  |   |                         |                                   |                               |                  |  |                    |             |