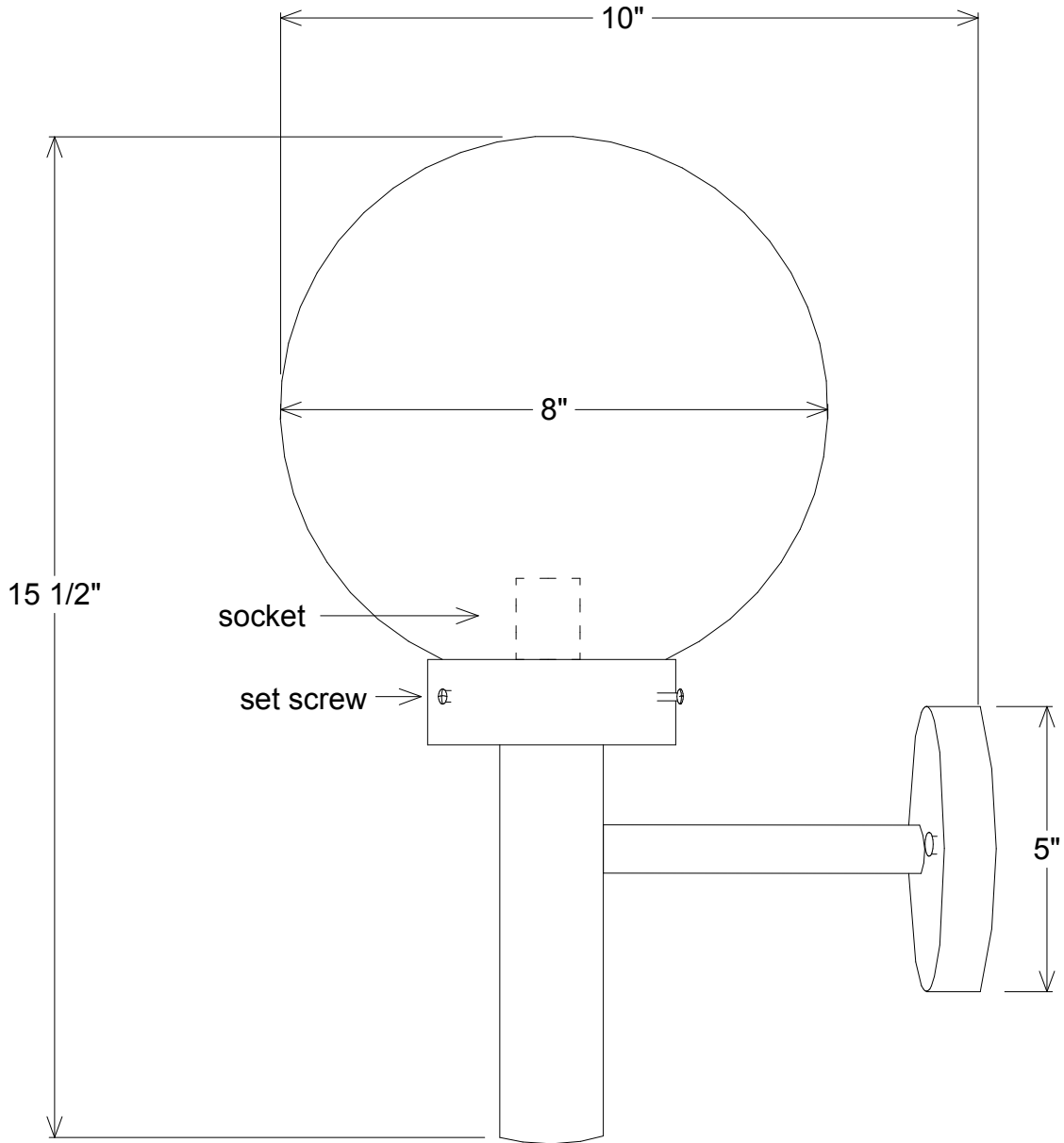


Revisions				
Zone	Rev	Description	Date	Approved



Unless Otherwise Specified: Dimensions in Inches Tolerances: Fractional ± Angular: Mach ± Bend ± Two Place Decimal ± Three Place Decimal ±	Name	Date	Primelite Mfg. Corp. 4381 Glass White Globe		
	Drawn	T.A.R.			09/26/10
	Checked				
	ENG Appr.				
	MFR Appr.				
QA					
Comments	CAD Generated Drawing Do Not Manually Update		Size	Drawing No.	Rev
Construction: Aluminum			A	0001	A
Lamp: 1-100A			Scale	CAD File	Sheet
		1:2			1 of 1