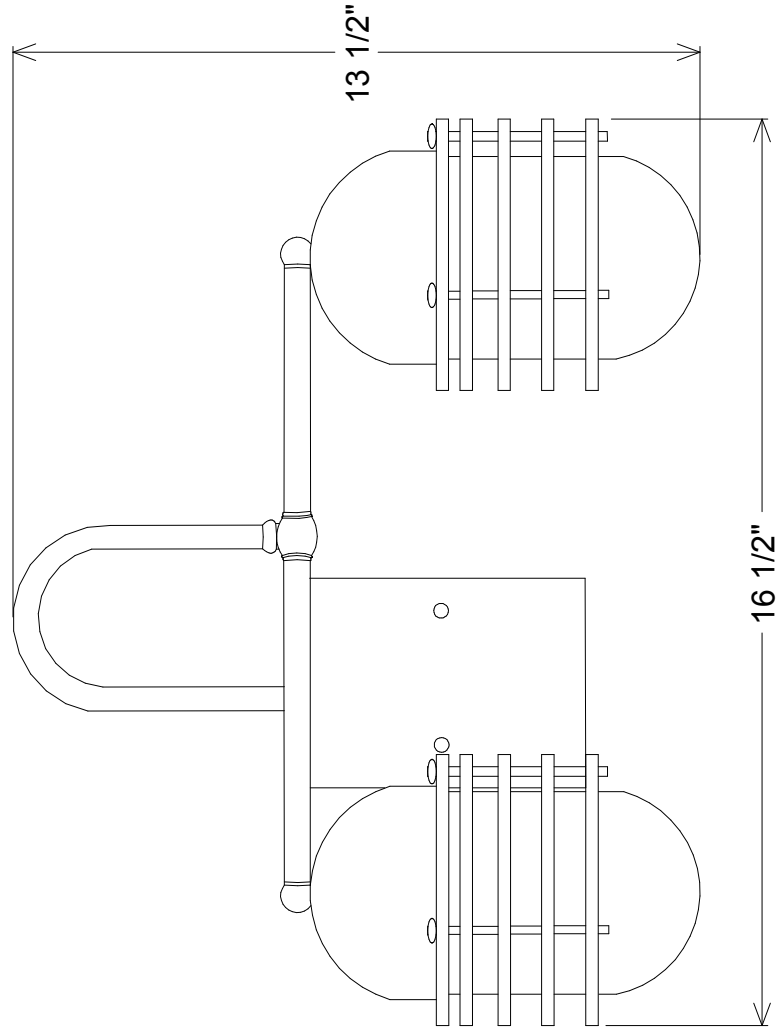
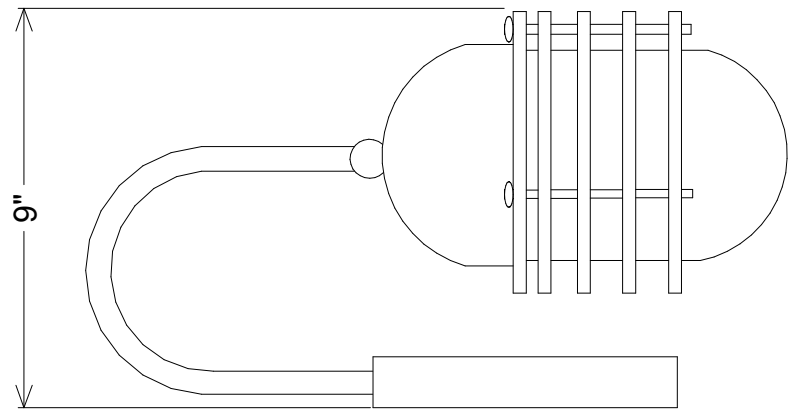


Revisions		Date	Approved
Zone	Rev	Description	



side view

Unless Otherwise Specified:		Drawn	Name	Date
Dimensions in inches			T.A.R.	08/20/10
Tolerances: Fractional ±		Checked		
Angular: Mach ± Bend ±		ENG Appr.		
Two Place Decimal ±		MFR Appr.		
Three Place Decimal ±		QA		
Comments				
CAD Generated Drawing Do Not Manually Update				
Construction: All Aluminum				
Lamp: 1-100A				
Primelite Mfg. Corp.				
4292				
Size	Drawing No.	Rev		
A	0001	A		
Scale	1:3	CAD File	Sheet	1 of 1