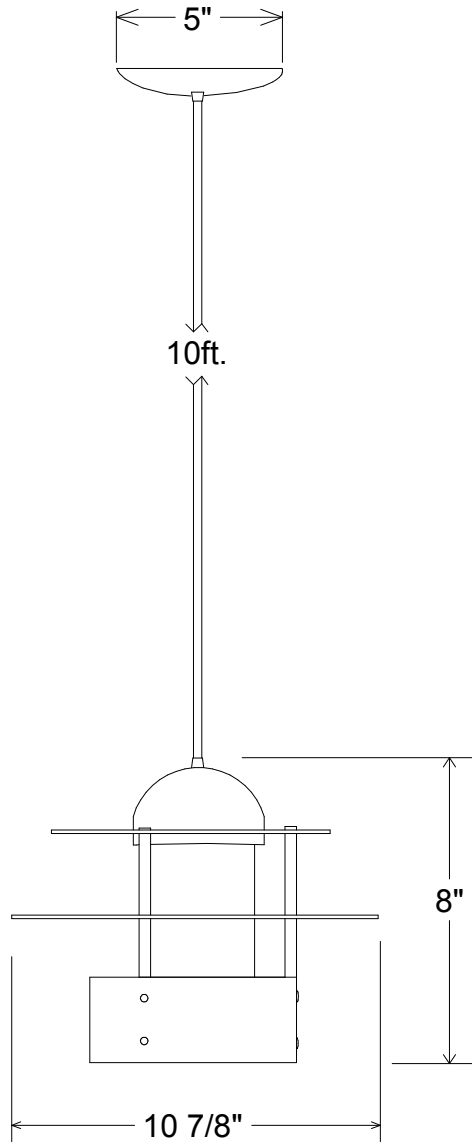


Revisions				
Zone	Rev	Description	Date	Approved



<b>Unless Otherwise Specified:</b> Dimensions in Inches Tolerances: Fractional ± Angular: Mach ± Bend ± Two Place Decimal ± Three Place Decimal ±	<b>Name</b> T.A.R.	<b>Date</b> 04/05/10	<b>Primelite Mfg. Corp.</b>		
	<b>Drawn</b>				<b>429/10</b>
	<b>Checked</b>		<b>Size</b> <b>A</b>	<b>Drawing No.</b> <b>0001</b>	
	<b>ENG Appr.</b>		<b>Scale</b> <b>1:4</b>	<b>CAD File</b>	<b>Sheet</b> <b>1 of 1</b>
	<b>MFR Appr.</b>				
<b>QA</b>					
<b>Construction: All Aluminum</b>	<b>Comments</b> CAD Generated Drawing Do Not Manually Update				
<b>Lamp: 1-100A</b>					