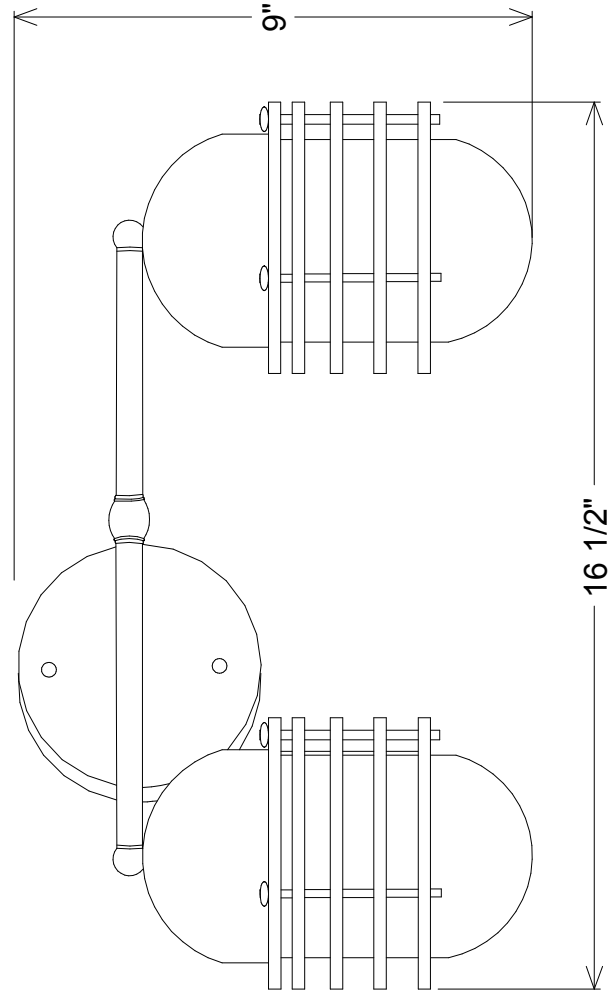
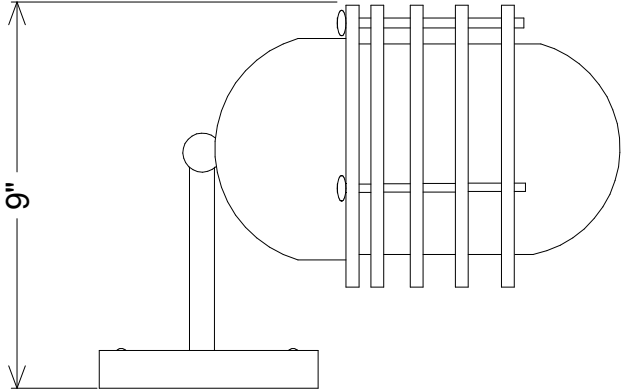


Revisions		Date	Approved
Zone	Rev	Description	



side view

Unless Otherwise Specified: Dimensions in inches Tolerances: Fractional ± Angular: Mach ± Bend ± Two Place Decimal ± Three Place Decimal ±		Drawn T.A.R. Checked ENG Appr. MFR Appr. QA Comments CAD Generated Drawing Do Not Manually Update	Name T.A.R. Date 08/20/10	Primelite Mfg. Corp. 4282
Construction: All Aluminum		Size A Drawing No. 0001 Rev A	Scale 1:3 CAD File Sheet 1 of 1	
Lamp: 1-100A				