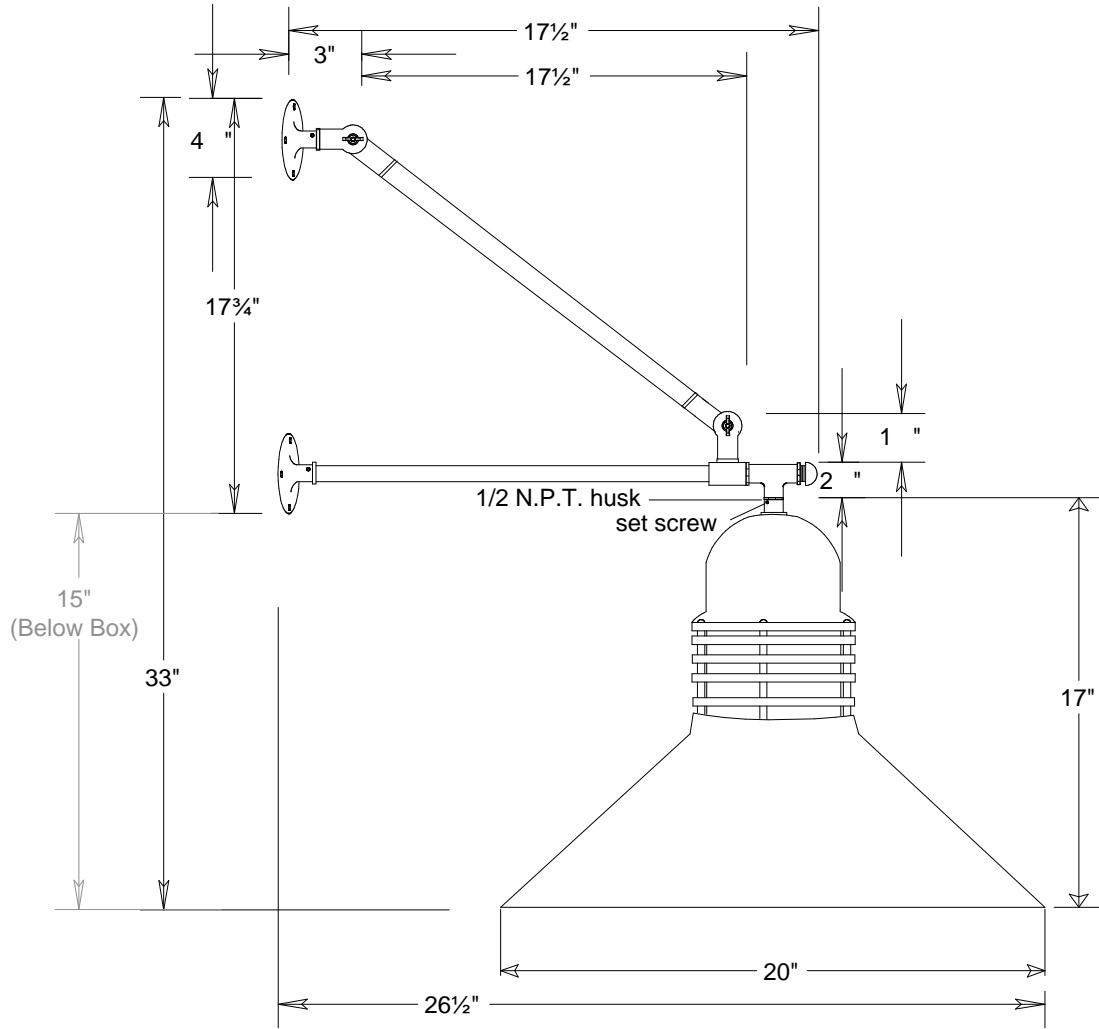




# Primelite Manufacturing Corp

407 S Main St, Freeport, NY 11520  
 Phone: 516-868-4411 | Fax: 516-868-4609  
 sales@primelite-mfg.com | www.primelite-mfg.com

PART #	LAMP	VOLTAGE	COLOR
JOB NAME			TYPE



<b>Unless Otherwise Specified:</b> Dimensions in Inches Tolerances: Fractional ± Angular: Mach ± Bend ± Two Place Decimal ± Three Place Decimal ±	<b>Name</b>	<b>Date</b>	<h2>Gooseneck #427/20-875</h2> <p>20" Shade   17 1/2" Arm   15" Below Box</p>			
	<b>Drawn</b>	lv				12/15/17
	<b>Checked</b>			<b>Size</b>	<b>Drawing No.</b>	<b>Rev</b>
	<b>ENG Appr.</b>			<b>A</b>	<b>0001</b>	<b>A</b>
<b>Construction: Aluminum</b>	<b>QA</b>		<b>Scale</b>	<b>CAD File</b>	<b>Sheet</b>	
<b>Lamp: Incandescent   LED</b>	<b>Comments</b>				<b>1 of 1</b>	

Revisions				
Zone	Rev	Description	Date	Approved