

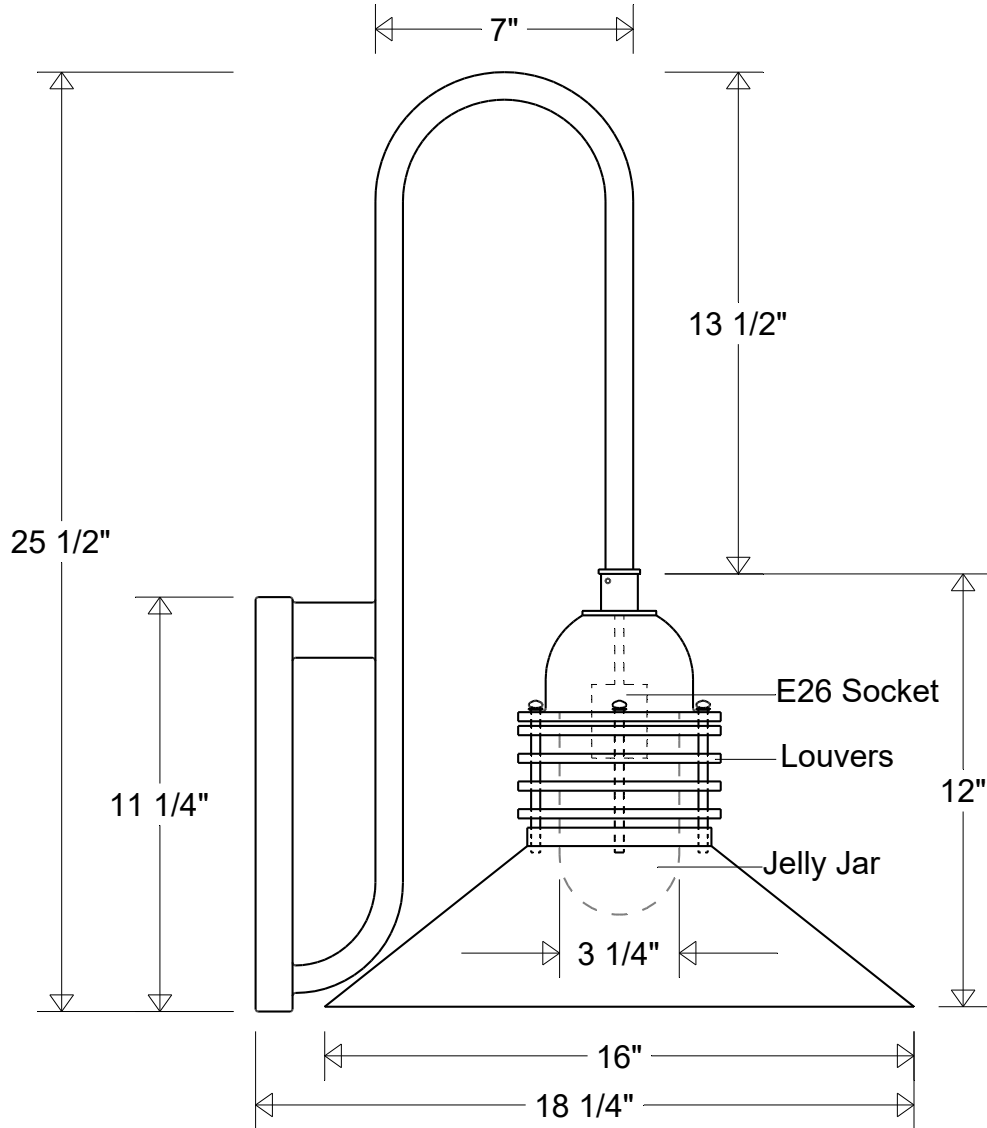



Primelite Manufacturing Corp

407 S Main St, Freeport, NY 11520

Phone: 516-868-4411 | Fax: 516-868-4609
 sales@primelite-mfg.com | www.primelite-mfg.com

PART # #427/16-872	LAMP Incandescent	VOLTAGE 120 V	COLOR Powder Coated Paint
JOB NAME			TYPE Gooseneck



Lamp: Incandescent Max Wattage: 1/100A 	Name		Date		Gooseneck #427/16-872 16" Dia 25 1/2" H 18 1/4" Ext Glass Jelly Jar: Clear Frosted																													
	Drawn	CB	05/2021																															
	Checked				<table border="1"> <thead> <tr> <th colspan="5">Revisions</th> </tr> <tr> <th>Zone</th> <th>Rev</th> <th>Description</th> <th>Date</th> <th>Approved</th> </tr> </thead> <tbody> <tr><td> </td><td> </td><td> </td><td> </td><td> </td></tr> <tr><td> </td><td> </td><td> </td><td> </td><td> </td></tr> <tr><td> </td><td> </td><td> </td><td> </td><td> </td></tr> </tbody> </table>					Revisions					Zone	Rev	Description	Date	Approved															
	Revisions																																	
Zone	Rev	Description	Date	Approved																														
ENG Appr.																																		
MFR Appr.				Size	Drawing No.	Rev																												
Construction: Aluminum Glass	QA			A	0001	A																												
Unless Otherwise Specified: Dimensions in Inches	Weight			Scale	CAD File	Sheet	1 of 1																											