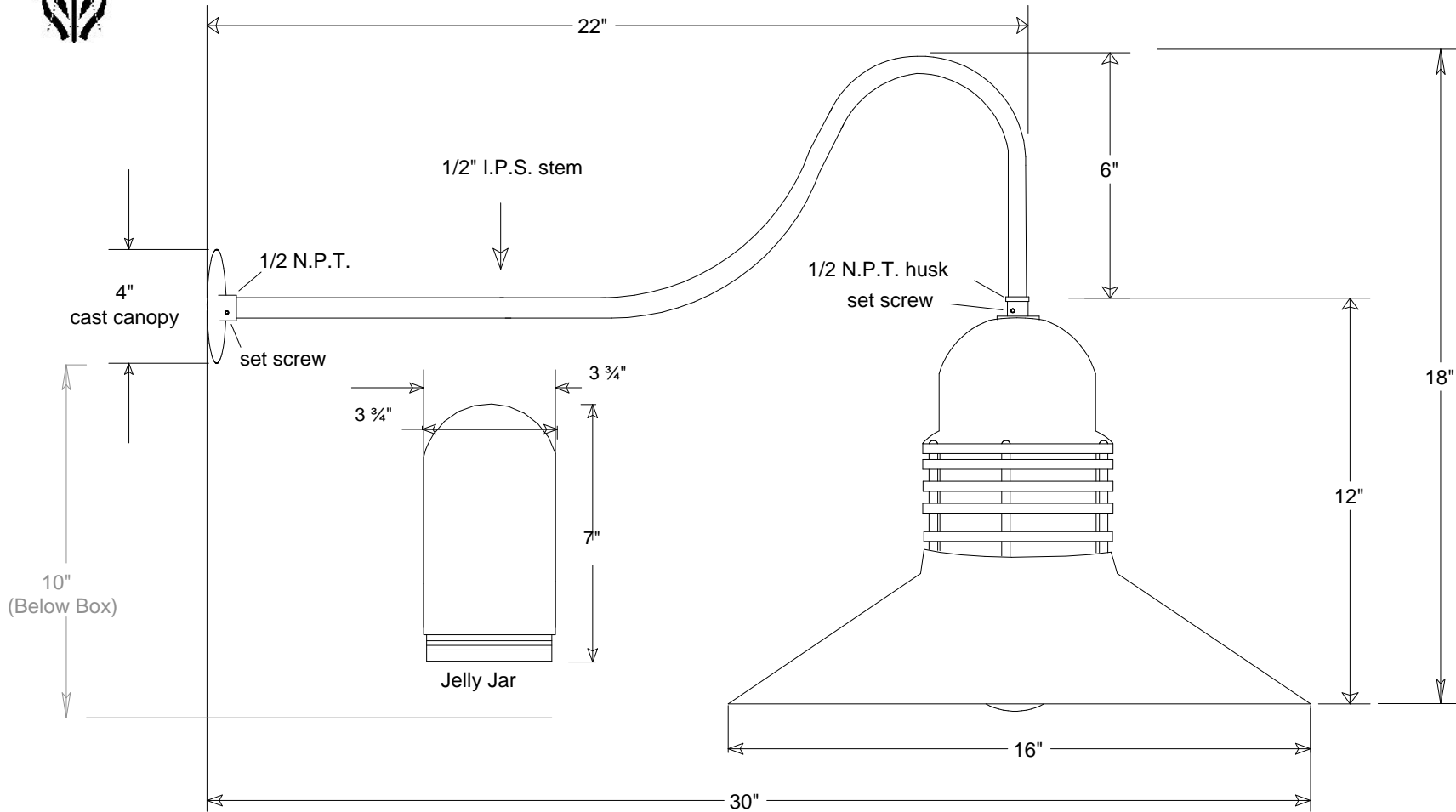




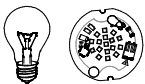
# Primelite Manufacturing Corp

407 S Main St, Freeport, NY 11520  
 Phone: 516-868-4411 | Fax: 516-868-4609  
 sales@primelite-mfg.com | www.primelite-mfg.com

PART # <b>#427/16-850</b>	LAMP <b>LED12</b>	VOLTAGE <b>120V</b>	COLOR <b>Powder Coated Paint</b>
JOB NAME			TYPE <b>Gooseneck</b>



Lamp: Incandescent | LED



1/100A | LED12

Construction: Aluminum, Glass

Unless Otherwise Specified:  
 Dimensions in Inches

Name	Date	<b>Gooseneck #427/16-850</b>		
Drawn	lv	16" Shade   22" Arm   10" Below Box		
Checked		Glass Jelly Jar		
ENG Appr.		Size	Drawing No.	Rev
MFR Appr.		<b>A</b>	<b>0001</b>	<b>A</b>
QA		Scale	CAD File	Sheet
Comments				<b>1 of 1</b>

Revisions				
Zone	Rev	Description	Date	Approved

